



**Density**<sup>®</sup>  
INSTANT FOG PROTECTION

 Catalogue 2025/26



## Summary

<b>Density® Global</b>	page <b>1</b>
Certifications	page <b>2</b>
Why install the fogging system	page <b>3</b>
There is a <b>Density®</b> solution for you	page <b>4</b>
Cloud, Active Server and Active Server Manager	page <b>5</b>
<b>Density® UNIK</b>	page <b>6</b>
<b>Density® UNIK</b> technical specifications	page <b>7</b>
<b>Density® Basic</b>	page <b>8</b>
<b>Density® Basic</b> technical specifications	page <b>9</b>
<b>Density® Air</b>	page <b>10</b>
<b>Density® Air</b> technical specifications	page <b>11</b>
<b>Density® 600 Lite</b>	page <b>12</b>
<b>Density® 600 Lite</b> technical specifications	page <b>13</b>
<b>Density® 900 Lite</b>	page <b>14</b>
<b>Density® 900 Lite</b> technical specifications	page <b>15</b>
<b>Density® 1500 Lite</b>	page <b>16</b>
<b>Density® 1500 Lite</b> technical specifications	page <b>17</b>
<b>Density® 2400 Lite</b>	page <b>18</b>
<b>Density® 2400 Lite</b> technical specifications	page <b>19</b>
<b>Density® 390</b>	page <b>20</b>
<b>Density® 390</b> technical specifications	page <b>21</b>
<b>Density® 900</b>	page <b>22</b>
<b>Density® 900</b> technical specifications	page <b>23</b>
<b>Density® 1500</b>	page <b>24</b>
<b>Density® 1500</b> technical specifications	page <b>25</b>
<b>Density® 2400</b>	page <b>26</b>
<b>Density® 2400</b> technical specifications	page <b>27</b>
<b>Density® HP6000</b>	page <b>28</b>
<b>Density® HP6000</b> technical specifications	page <b>29</b>
<b>Density® HP14000</b>	page <b>30</b>
<b>Density® HP14000</b> technical specifications	page <b>31</b>
Accessories	page <b>32 - 33</b>
Refills and optional configurations	page <b>34</b>
Electronic boards	page <b>35 - 36 - 37</b>

## Top performance fogging systems

**Density®** anti-intrusion fogging systems represent the latest innovation of the active protection market. Completeness of range, ease in configuration and installation, are compatible with all existing alarm panels and adaptable to all situations and needs represent the top in the world of security fogging systems.

**Density®** fogging systems compact and decent, with their elegant design really suit easily to any environment.

### High-tech design

Each of the **Density®** anti-intrusion fogging systems and accessories are designed and manufactured to be as efficient as possible. Our engineers have worked on all the components of our systems to reduce the size of devices and to develop maximum performance creating a unique and uncluttered design that fits perfectly to all professional and home environments.

### Advanced Technology

All components of **Density®** anti-intrusion fogging systems are designed to be technologically the most advanced on the market. It is because of this contribution that our systems rank at the TOP of the intrusion fogging systems market.

### Improved Communication

As a result of months of research and analysis of security needs around the world, our fogging systems are equipped with accessories that can interact with the customer through Cloud **Density®**. We are also able to provide, free of charge, APIs that will enable the integration of our products into a Software Building Management System (BMS) or proprietary remote monitoring system.

### Ongoing training

Our partners such as distributors, installers and system integrators have at their disposal a team of technical/commercial team that can assist them in training, design, sales, installation and maintenance of our systems. We are a guarantee of quality and know-how for all **Density®** customers.



## Certifications

The **Density**<sup>®</sup> range of anti-intrusion fog systems has been tested by national and international organizations. They meet current CE, EMC, FCC\* and EN50131-8:2019\* standards.

Our goal is to offer innovative, efficient systems of the highest quality.



### EN 50131-8:2019 certification

The **Density**<sup>®</sup> product line is certified in accordance with the European standard EN 50131-8:2019.

The 50131 standard tests and evaluates all anti-intrusion alarm systems. Part 8 of this European standard is dedicated to anti-intrusion fog devices.

Revised in 2019, this document establishes requirements for intrusion fog systems as part of an I-HAS. It covers the application and performance and also provides the necessary tests to ensure the efficiency and reliability of such devices.

This document also makes recommendations on criteria for the design, installation, operation and maintenance of anti-intrusion fog systems.



### Non-toxic fluid certification

The fluid is certified as non-toxic to humans and animals by EUROFINS, one of the largest multinational companies in the chemical, cosmetic and medical certification industries; in addition, the fluid's content does not contravene any regulations belonging to Islamic countries.

The products have already been sold in Pakistan, Iran, Saudi Arabia, Kuwait and Tunisia and more than 80 other states worldwide.

Toxicological evaluation risk EN ISO 16000-1:2006 (ISO 16000-1:2004).

Certified Lab Eurofins BioLab

### Food Grade certified Fog

The generated fog has also been tested and certified according to the Food Contact regulation to come into contact with food products without altering their composition and organoleptic properties.

This allows **Density**<sup>®</sup> anti-intrusion fog systems to be installed even in grocery stores, supermarkets, bars, restaurants, delicatessens, warehouses or warehouses for food products.

Tests performed in accordance with Reg. (CE) No. 1935/2004.



\* Request a copy of the Attestation of FCC and/or EN 50131-8:2019 certified Density<sup>®</sup> fog systems

**97%** thefts avoided with fogging system and alarm  
**17%** thefts avoided only with an alarm

### **WHY traditional alarm systems are useful but not enough to prevent theft.**

**Active security systems** such as anti-theft devices, sensors, infrared, perimeter, volumetric protections and surveillance cameras in most cases are ignored by certain criminals. The only function these systems have is reporting an intrusion, but not blocking it.

**Passive security systems** such as armoured doors and glass, gratings, anti-intrusion bars or railings are prone to being burglarized by criminals and consequently are ineffective. Everything that can be broken, in many cases, does not block the intrusion and action of criminals to carry out thefts.

**Security guards or private security** can be subject to aggression by criminals and turned into ineffective.

In general, less than **3 minutes** are enough to commit a crime, as the criminals first observe where to go and what to steal.

**Minimum 15 minute** for the **Police** to arrive on the spot, except for inconveniences and in general to theft already occurred ...

### **WHY install the fogging system.**

Alarm control unit sends the signal to fogging system installed, activates the emission of a thick, white and impenetrable artificial fog:

**IMMEDIATE BLOCK ALREADY AT ATTEMPT TO INTRUDE CRIMINALS**

**IN FEW SECONDS ZERO VISIBILITY  
MAKING IMPOSSIBLE ANY ACTION.**

Criminals disoriented by the environment saturated with thick fog, which makes everything invisible, are dissuaded from the attempted intrusion/theft and concentrate on finding a way out. Furthermore, the persistence of fog saturation favours the arrival time and intervention by the police.

**When it becomes impossible to see,  
it becomes impossible to act.**

## There is a Density® solution for you

With our experience in the field of security for more than 20 years, we understand your security issues.

The stakes are high to protect your professional activity as well as your premises and your property. There is a Density® solution for every situation.



## CLOUD SOLUTION

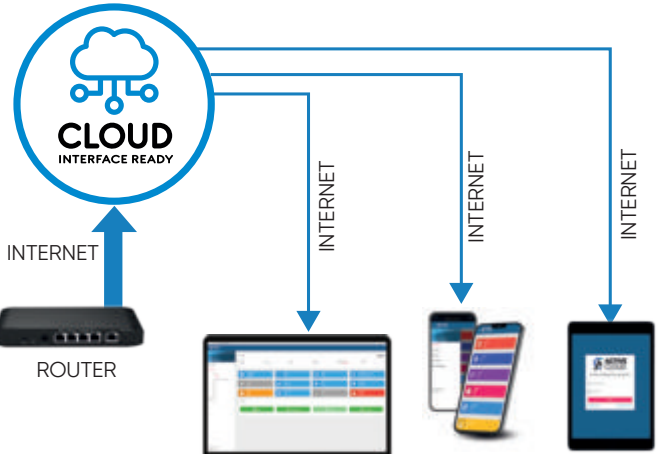
The CLOUD LAN electronic board directly connected to the bus, it allows to monitor all the installed systems. A single control panel to manage all your fogging systems from any device, mobile or desktop.



The CLOUD LAN electronic board can be installed on all **Density®** fogging systems.

Wi-Fi LAN BOARD with ACTIVECLOUD firmware

Wi-Fi LAN BOARD with ACTIVECLOUD firmware



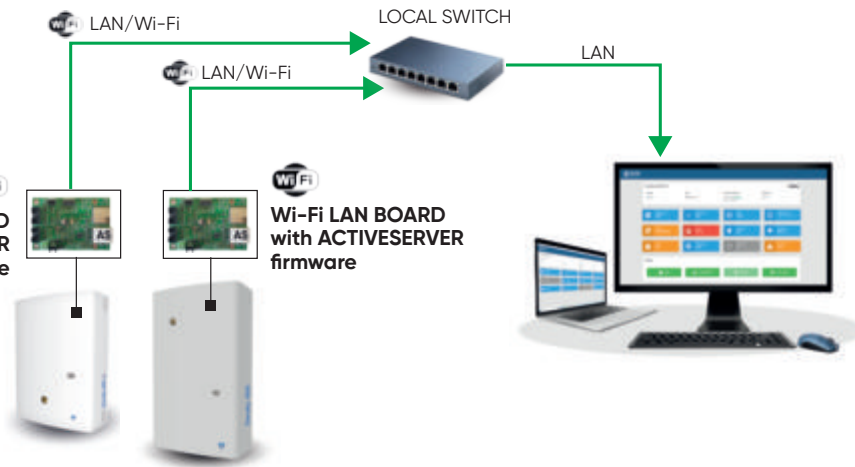
### Developer APIs available

Ability to develop customized connectivity solutions for integrating **Density®** systems into pre-existing intranets (banks, regulators, etc.)

## LOCAL AREA NETWORK SOLUTION

Wi-Fi LAN BOARD with ACTIVESERVER firmware

Wi-Fi LAN BOARD with ACTIVESERVER firmware

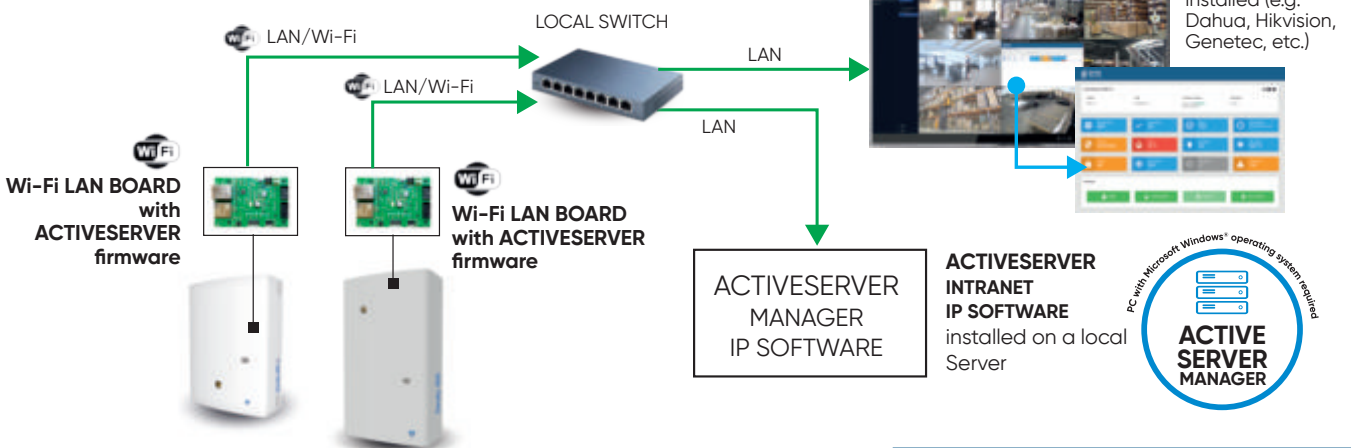


**ACTIVESERVER MANAGER SOFTWARE** installed on a local PC to control/manage multiple fogging systems within the same local LAN network through a single interface.

## LOCAL AREA NETWORK SOLUTION FOR VMS INTEGRATION

Wi-Fi LAN BOARD with ACTIVESERVER firmware

Wi-Fi LAN BOARD with ACTIVESERVER firmware



PC with **VMS CLIENT** installed (e.g. Dahua, Hikvision, Genetec, etc.)

**ACTIVESERVER MANAGER IP SOFTWARE**

**ACTIVESERVER INTRANET IP SOFTWARE** installed on a local Server



# Density<sup>®</sup> UNIK

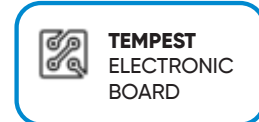
Density<sup>®</sup> UNIK is the technological revolution of the fogging industry. Cold fog is the result of an international patent. Cold at all times, security fog is produced from the intensity of special high-amperage batteries, the Density<sup>®</sup> UNIK POWER PACK.

Developed and intended for domestic market, isolated mobile premises, vehicules and small shops of relative risks such as hairdressers, florists, etc...

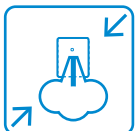
The Density<sup>®</sup> UNIK fog generator is the solution to protect your goods and premises from relative risks by instantly repelling intruders.



Real sizes for comparison



## KEY POINTS



The smallest fog generator on the market.



Quick and easy installation.

**AUTONOMY  
UP TO 6  
MONTHS**

Battery operation possible. Up to 6 months in the event of total loss of power supply.



Very low power consumption. Close to zero.



**ZERO HEAT  
EMISSION**

Do not heat-up! Fog is produced INSTANTLY. 2 international patents.



**VERY LOW  
SHOT COST**

The Density UNIK recharge can shoot up to 8 times reducing drastically the costs.

## DENSITY<sup>®</sup> UNIK TYPICAL APPLICATIONS



# Density UNIK technical specifications

## GENERAL SPECIFICATIONS

Weight	5 kg
Dimensions	300 mm x 200 mm x 150mm
Colors	White or Black
Power supply	10-16V - Battery only operation possible
Heat-up time	System instantly ready
Autonomy on battery (POWER PACK)	Up to 6 months*

## FOG GENERATOR

Single shoot max time	60 seconds
Single shoot max fog output	100 m <sup>3</sup> (EN standard) - commercial 300 m <sup>3</sup>
Shooting time settings	3 options 15, 30 or 60 seconds
Maximum coverage with a UNIK Density cartridge	600 m <sup>3</sup> commercial
Number of full fog shots on a full fluid bag	From 2 to 8
External LED	3
Low fluid level indicator/error	Yes - red LED
Ready to shoot indicator	Yes - blue LED
Indicator of unit on	Yes - green LED
ABS lid	Yes
Inputs	3
PIR/ PANIC input	Yes
Outputs	3 (optional board relay)
Status and audio indicators on PCB	Yes
Shooting test and diagnostics (2 sec.)	Yes

## COMMUNICATION

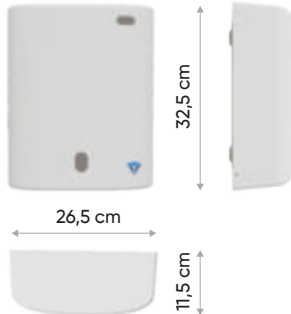
Wired IP card and WiFi (ActiveCloud)	Yes** (optional)
WiFi antenna for ActiveCloud	Yes* (optional)
Access to ActiveCloud with remote monitoring/activation	Yes (free)

\* Autonomy is guaranteed for at least one 60 secs full shoot (unit without connected accessories)

\*\* Requires 12V power (via power supply or stepdown cable)

# Density<sup>®</sup> Basic

A new « entry level » fog generator for home and shop target. The Density<sup>®</sup> Basic fog generator is the key to secure your valuables and permits by instantly repelling intruders. It is a fog system with a small size and high performances. Low power consumption. Plastic cover maximize performances for wireless connections.



JUST  
**3,8 KG**



## FEATURES



To protect premises from 5 to 45 m<sup>2</sup>.



Fast and dense, this fog generator produce 135 m<sup>3</sup> in 50 seconds.



## COMPATIBILITY



ActiveCloud board for secure connection (2x128bits encryption) wired or WiFi.



API available for software and hardware customisation.

## Density Basic technical specifications

### GENERAL SPECIFICATIONS

Weight	3,8 kg
Dimensions	325 mm x 265 mm x 115 mm
Color	White
Front cover	Plastic material
Operating time without mains power	1 hour
Heating time	Around 20 minutes
Energy consumption	Around 30 W

### FOG GENERATOR

Suggested square meters up to	45 m <sup>2</sup>
Max fog emitted in single shot	135 m <sup>3</sup> (EN standard) - commercial 390 m <sup>3</sup>
Maximum shooting time	50 sec.
Max fog emitted with full fog bag	2340 m <sup>3</sup>
N. of shots with max shooting	6
Pump	Yes
Fog tank capacity	500 ml
Horizontal mounting	Yes with opzional kit
Shooting time programmable	Yes
Backup battery	1,2 Ah 12V

### INPUTS / OUTPUTS

Electronic board	2 inputs / 3 ouputs
------------------	---------------------

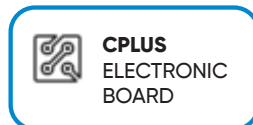
### COMMUNICATION

Serial bus with standard protocol	Yes 2 serial
IP card ActiveCloud	Yes (optional)
Access to ActiveCloud	Yes (free)
Availability of Development APIs	Yes
WiFi	Yes (optional antenna)

# Density<sup>®</sup> Air

A new « entry level » fog generator for home and shop up to 45m<sup>2</sup>.

The Density<sup>®</sup> Air fog generator is the key to secure your valuables and permits by instantly repelling intruders.



## FEATURES



To protect premises from 5 to 45 m<sup>2</sup>.



Fast and dense, this fog generator produce 135 m<sup>3</sup> in 50 seconds.



## COMPATIBILITY



ActiveCloud board for secure connection (2x128bits encryption) wired or WiFi.



API available for software and hardware customisation.

## LATERAL CUSTOMIZATION



Black

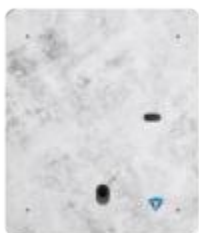


White

## FRONT PANEL CUSTOMIZATION



Wood effect



Marble effect



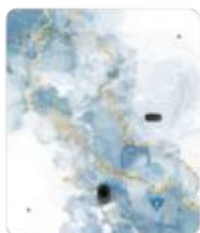
Black



White



Black marble effect



Sea marble effect



Waves effect

## Density Air technical specifications

### GENERAL SPECIFICATIONS

Weight	4,8 kg
Dimensions	290 mm x 340 mm x 115 mm
Colors	White or with custom front panel
Power supply	230VAC 50Hz o 115VAC 60Hz
Heater max power in start	300W
Average consumption	30W
Heat-up time from cold	Around 20 minutes
Heat-up time after full shoot	Less than 9 minutes
Working time without mains power	1 hour

### FOG GENERATOR

Single shoot max time	50 seconds
Max fog emitted in single shot	135 m <sup>3</sup> (EN standard) - commercial 390 m <sup>3</sup>
Programming time of fog emission	Fully programmable in seconds
Orientable nozzle	No
Fog tank capacity and max fog emitted with full fog bag	0.5 L - 2340 m <sup>3</sup> total
Number of full fog releases on a full fluid tank	6
Low fluid alarm	Yes
No fluid alarm	Yes
Tamper switch for lid opening	Yes (optional)
Cover	Plastic

### INPUTS / OUTPUTS

Inputs (optoisolated)	4
Seperate PIR input with 12V supply	1
Inputs selectable to be active or passive	Yes
Relay output	5
Outputs selectable to be Normal Open or Normal Closed	Yes
Connector for external LED status indicator	Yes
Battery backup 12V - 1,2Ah	Yes (optional)

### COMMUNICATION

IP card ActiveCloud	Yes (optional)
Access to ActiveCloud	Yes (free)
API protocol option	Yes
RS232 Serial port (for dedicated devices)	Yes
WiFi	Yes (optional antenna)
USB Port for programming and diagnostic	Yes

# Density<sup>®</sup> 600 Lite

The first model in the range of easy installation, dedicated to small shops, local safes and protection of ATM.

The Density<sup>®</sup> 600 Lite fog generator is the key to secure your valuables and permits by instantly repelling intruders.



## FEATURES



To protect premises from 5 to 70 m<sup>2</sup>.



Fast and dense, this fog generator produce 200 m<sup>3</sup> in 28 seconds.



## COMPATIBILITY



ActiveCloud board for secure connection (2x128bits encryption) wired or WiFi.



API available for software and hardware customisation.



Multidirectional nozzle adaptative to fit all installations types.

## Density 600 Lite technical specifications

### GENERAL SPECIFICATIONS

Weight	7,5 kg
Dimensions	390 mm x 300 mm x 130mm
Colors	White or black
Operating time without mains power	Over 1 hour
Heating time	Around 1 hour
Average power consumption after heat-up	37W
Vertical mounting	Yes
Horizontal mounting	Yes
Usb port for computer monitoring (Windows and Linux)	Yes
Adjustable nozzle	Yes
Nozzle extension	Yes (optional)

### FOG GENERATOR

Single shoot max time	28 seconds
Single shoot max fog output	200 m <sup>3</sup> (EN standard) - commercial 600 m <sup>3</sup>
Shot characteristics	Programmable in seconds
Fluid container system	0.5 L
Number of full Fog releases on a full fluid bag	4
2 cabled inputs:	Arming and shooting
3 cabled outputs:	Empty bag, Shoot confirm and system failure
Top internal riser for optional boards	Yes (optional)
Side internal riser for optional boards	Yes (optional)
RS232 Serial ports for dedicated option boards	Yes, 2

### ELECTRICAL SPECIFICATIONS

Mains power	230 V AC or 120 V AC
Average consumption	37 W
Heater max power in start	350 W
Backup battery 12V/2Ah	Not included

# Density<sup>®</sup> 900 Lite

The easy installation fog generator, dedicated to the protection of premises up to 100m<sup>2</sup>.  
The Density<sup>®</sup> 900 Lite fog generator is the key to secure your valuables and premises by instantly repelling intruders.



## FEATURES



To protect premises from 5 to 100 m<sup>2</sup>.



Fast and dense, this fog generator produce 300 m<sup>3</sup> in 40 seconds.



## COMPATIBILITY



ActiveCloud board for secure connection (2x128bits encryption) wired or WiFi.



API available for software and hardware customisation.



Multidirectional nozzle adaptative to fit all installations types.

# Density 900 Lite technical specifications

## GENERAL SPECIFICATIONS

Weight	8 kg
Dimensions	390 mm x 300 mm x 130mm
Colors	White or black
Operating time without mains power	Over 1 hour
Heating time	Around 1 hour
Average power consumption after heat-up	37W
Vertical mounting	Yes
Horizontal mounting	Yes
Usb port for computer monitoring (Windows and Linux)	Yes
Adjustable nozzle	Yes
Nozzle extension	Yes (optional)

## FOG GENERATOR

Single shoot max time	40 seconds
Single shoot max fog output	300 m <sup>3</sup> (EN standard) - commercial 900 m <sup>3</sup>
Shot characteristics	Programmable in seconds
Fluid container system	1 L
Number of full Fog releases on a full fluid bag	5
2 cabled inputs:	Arming and shooting
3 cabled outputs:	Empty bag, Shoot confirm and system failure
Top internal riser for optional boards	Yes (optional)
Side internal riser for optional boards	Yes (optional)
RS232 Serial ports for dedicated option boards	Yes, 2

## ELECTRICAL SPECIFICATIONS

Mains power	230 V AC or 120 V AC
Average consumption	37 W
Heater max power in start	350 W
Backup battery 12V/2Ah	Not included

# Density<sup>®</sup> 1500 Lite

The easy installation fog generator, dedicated to the protection of premises up to 170m<sup>2</sup>. The Density<sup>®</sup> 1500 Lite fog generator is the key to secure your valuables and premises by instantly repelling intruders.



## FEATURES



To protect premises from 5 to 170 m<sup>2</sup>.



Fast and dense, this fog generator produce 500 m<sup>3</sup> in 48 seconds.



## COMPATIBILITY



ActiveCloud board for secure connection (2x128bits encryption) wired or WiFi.



API available for software and hardware customisation.



Multidirectional nozzle adaptative to fit all installations types.

# Density 1500 Lite technical specifications

## GENERAL SPECIFICATIONS

Weight	9 kg
Dimensions	390 mm x 300 mm x 130mm
Colors	White or black
Operating time without mains power	Over 1 hour
Heating time	Around 2 hours
Average power consumption after heat-up	48W
Vertical mounting	Yes
Horizontal mounting	Yes
Usb port for computer monitoring (Windows and Linux)	Yes
Adjustable nozzle	Yes
Nozzle extension	Yes (optional)

## FOG GENERATOR

Single shoot max time	48 seconds
Single shoot max fog output	500 m <sup>3</sup> (EN standard) - commercial 1500 m <sup>3</sup>
Shot characteristics	Programmable in seconds
Fluid container system	1 L
Number of full Fog releases on a full fluid bag	3
2 cabled inputs:	Arming and shooting
3 cabled outputs:	Empty bag, Shoot confirm and system failure
Top internal riser for optional boards	Yes (optional)
Side internal riser for optional boards	Yes (optional)
RS232 Serial ports for dedicated option boards	Yes, 2

## ELECTRICAL SPECIFICATIONS

Mains power	230 V AC or 120 V AC
Average consumption	48 W
Heater max power in start	280 W
Backup battery 12V/2Ah	Not included

# Density<sup>®</sup> 2400 Lite

The easy installation fog generator, dedicated to the protection of premises up to 270m<sup>2</sup>.  
The Density<sup>®</sup> 2400 Lite fog generator is the key to secure your valuables and premises by instantly repelling intruders.



## FEATURES



To protect premises from 5 to 270 m<sup>2</sup>.



Fast and dense, this fog generator produce 800 m<sup>3</sup> in 64 seconds.



## COMPATIBILITY



ActiveCloud board for secure connection (2x128bits encryption) wired or WiFi.



API available for software and hardware customisation.



Multidirectional nozzle adaptative to fit all installations types.

# Density 2400 Lite technical specifications

## GENERAL SPECIFICATIONS

Weight	9,5 kg
Dimensions	390 mm x 300 mm x 130mm
Colors	White or black
Operating time without mains power	Over 1 hour
Heating time	Around 2 hours
Average power consumption after heat-up	48W
Vertical mounting	Yes
Horizontal mounting	Yes
Usb port for computer monitoring (Windows and Linux)	Yes
Adjustable nozzle	Yes
Nozzle extension	Yes (optional)

## FOG GENERATOR

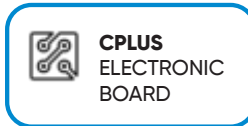
Single shoot max time	64 seconds
Single shoot max fog output	800 m <sup>3</sup> (EN standard) - commercial 2400 m <sup>3</sup>
Shot characteristics	Programmable in seconds
Fluid container system	1 L
Number of full Fog releases on a full fluid bag	2
2 cabled inputs:	Arming and shooting
3 cabled outputs:	Empty bag, Shoot confirm and system failure
Top internal riser for optional boards	Yes (optional)
Side internal riser for optional boards	Yes (optional)
RS232 Serial ports for dedicated option boards	Yes, 2

## ELECTRICAL SPECIFICATIONS

Mains power	230 V AC or 120 V AC
Average consumption	48 W
Heater max power in start	280 W
Backup battery 12V/2Ah	Not included

# Density<sup>®</sup> 390

Robust and easy to install, it is ideal for small shops or stores and generally for low-medium risk premises. The Density<sup>®</sup> 390 fog generator is the key to secure your valuables and premises by instantly repelling intruders.



## FEATURES



To protect premises from 5 to 45 m<sup>2</sup>.



Fast and dense, this fog generator produce 130 m<sup>3</sup> in 20 seconds.



## COMPATIBILITY



ActiveCloud board for secure connection (2x128bits encryption) wired or WiFi.



API available for software and hardware customisation.



Multidirectional nozzle adaptative to fit all installations types.

## DENSITY<sup>®</sup> 390 TYPICAL APPLICATIONS



## Density 390 technical specifications

### GENERAL SPECIFICATIONS

Weight	10,5 kg
Dimensions	477 mm x 286 mm x 143mm
Colors	White or black
Power supply	230VAC 50Hz or 115VAC 60Hz
Power consumption at heat-up	600W
Average power consumption after heat-up	56W
Heat-up time from cold	44 minutes
Heat-up time after full shoot	5 minutes
Working time after loss of mains power	2 hours

### FOG GENERATOR

Single shoot max time	20 seconds
Single shoot max fog output	130 m <sup>3</sup> (EN standard) - commercial 390 m <sup>3</sup>
Programmable shooting time	Yes - Programmable in seconds
Adjustable nozzle	Yes
Total emission capacity with fluid bag charge	2500 m <sup>3</sup> - 0.5 L
Number of full fog releases on a full fluid bag	6
Low fluid alarm	Yes
No fluid alarm	Yes
Tamper switch for lid opening	Yes
Steel casing	Yes

### INPUTS / OUTPUTS

Input, galvanically isolated optocoupler	4
Seperate PIR input with 12V supply	1
Inputs selectable to be active or passive	Yes
Relay output	5
Outputs selectable to be Normal Open or Normal Closed	Yes
Status and audio indicators on PCB	Yes
Connector for external LED status indicator	Yes
Battery backup 12V 2Ah	Yes (optional)
Dipswitches for setting options	Yes
Service switch for safe technician operation	Yes

### COMMUNICATION

IP card ActiveCloud	Yes (optional)
ActiveCloud access	Yes (free)
API protocol option	Yes
RS232 Serial port (for dedicated devices)	Yes
WiFi	Yes (optional antenna)
USB Port for diagnostic	Yes

# Density<sup>®</sup> 900

Developed to protect in seconds safe rooms, ATM walls, tobacco shops, high value goods reserves up to 100 m<sup>2</sup>.

The Density<sup>®</sup> 900 fog generator is the key to secure your values and premises by pushing back intruders instantly.



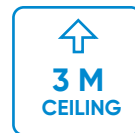
## FEATURES



To protect premises from 5 to 100 m<sup>2</sup>.



Fast and dense, this fog generator produce 300 m<sup>3</sup> in 29 seconds.



## COMPATIBILITY



ActiveCloud board for secure connection (2x128bits encryption) wired or WiFi.



API available for software and hardware customisation.



Multidirectional nozzle adaptative to fit all installations types.

## DENSITY<sup>®</sup> 900 TYPICAL APPLICATIONS



## Density 900 technical specifications

### GENERAL SPECIFICATIONS

Weight	11,7 kg
Dimensions	477 mm x 286 mm x 143mm
Colors	White or black
Power supply	230VAC 50Hz or 115VAC 60Hz
Power consumption at heat-up	600W
Average power consumption after heat-up	42W
Heat-up time from cold	46 minutes
Heat-up time after full shoot	10 minutes
Working time after loss of mains power	2 hours

### FOG GENERATOR

Single shoot max time	29 seconds
Single shoot max fog output	300 m <sup>3</sup> (EN standard) - commercial 900 m <sup>3</sup>
Programmable shooting time	Yes - Programmable in seconds
Adjustable nozzle	Yes
Total emission capacity with fluid bag charge	8000 m <sup>3</sup> - 1,5 L
Number of full fog releases on a full fluid bag	9
Low fluid alarm	Yes
No fluid alarm	Yes
Tamper switch for lid opening	Yes
Steel casing	Yes

### INPUTS / OUTPUTS

Input, galvanically isolated optocoupler	4
Seperate PIR input with 12V supply	1
Inputs selectable to be active or passive	Yes
Relay output	5
Outputs selectable to be Normal Open or Normal Closed	Yes
Status and audio indicators on PCB	Yes
Connector for external LED status indicator	Yes
Battery backup 12V 2Ah	Yes (optional)
Dipswitches for setting options	Yes
Service switch for safe technician operation	Yes

### COMMUNICATION

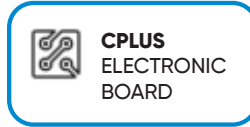
IP card ActiveCloud	Yes (optional)
ActiveCloud access	Yes (free)
API protocol option	Yes
RS232 Serial port (for dedicated devices)	Yes
WiFi	Yes (optional antenna)
USB Port for diagnostic	Yes

# Density<sup>®</sup> 1500

Developed to protect with «Fast and Dense fog» large city stores and small warehouses.

This can be optical, motorcycle or bicycle stores up to 200 m<sup>2</sup>.

The Density<sup>®</sup> 1500 fog generator is the key to secure your valuables and permises by instantly repelling intruders.



## FEATURES



To protect premises from 80 to 200 m<sup>2</sup>.



Fast and dense, this fog generator produce 500 m<sup>3</sup> in 44 seconds.



## COMPATIBILITY



ActiveCloud board for secure connection (2x128bits encryption) wired or WiFi.



API available for software and hardware customisation.



Multidirectional nozzle adaptative to fit all installations types.

## DENSITY<sup>®</sup> 1500 TYPICAL APPLICATIONS



## Density 1500 technical specifications

### GENERAL SPECIFICATIONS

Weight	13,5 kg
Dimensions	477 mm x 286 mm x 143mm
Colors	White or black
Power supply	230VAC 50Hz or 115VAC 60Hz
Power consumption at heat-up	750W
Average power consumption after heat-up	70W
Heat-up time from cold	42 minutes
Heat-up time after full shoot	14 minutes
Working time after loss of mains power	2 hours

### FOG GENERATOR

Single shoot max time	44 seconds
Single shoot max fog output	500 m <sup>3</sup> (EN standard) - commercial 1500 m <sup>3</sup>
Programmable shooting time	Yes - Programmable in seconds
Adjustable nozzle	Yes
Total emission capacity with fluid bag charge	8000 m <sup>3</sup> - 1.5 L
Number of full fog releases on a full fluid bag	5
Low fluid alarm	Yes
No fluid alarm	Yes
Tamper switch for lid opening	Yes
Steel casing	Yes

### INPUTS / OUTPUTS

Input, galvanically isolated optocoupler	4
Seperate PIR input with 12V supply	1
Inputs selectable to be active or passive	Yes
Relay output	5
Outputs selectable to be Normal Open or Normal Closed	Yes
Status and audio indicators on PCB	Yes
Connector for external LED status indicator	Yes
Battery backup 12V 2Ah	Yes (optional)
Dipswitches for setting options	Yes
Service switch for safe technician operation	Yes

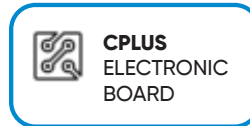
### COMMUNICATION

IP card ActiveCloud	Yes (optional)
ActiveCloud access	Yes (free)
API protocol option	Yes
RS232 Serial port (for dedicated devices)	Yes
WiFi	Yes (optional antenna)
USB Port for diagnostic	Yes

# Density<sup>®</sup> 2400

Powerful and fast is made for premises with high risks, large business premises and shops.

The Density<sup>®</sup> 2400 fog generator is the key to secure your valuables and premises by instantly repelling intruders.



## FEATURES



To protect premises from 150 to 300 m<sup>2</sup>.



Fast and dense, this fog generator produce 800 m<sup>3</sup> in 80 seconds.



## COMPATIBILITY



ActiveCloud board for secure connection (2x128bits encryption) wired or WiFi.



API available for software and hardware customisation.



Multidirectional nozzle adaptative to fit all installations types.

## DENSITY<sup>®</sup> 2400 TYPICAL APPLICATIONS



## Density 2400 technical specifications

### GENERAL SPECIFICATIONS

Weight	14,7 kg
Dimensions	477 mm x 286 mm x 143mm
Colors	White or black
Power supply	230VAC 50Hz or 115VAC 60Hz
Power consumption at heat-up	1000W
Average power consumption after heat-up	78W
Heat-up time from cold	49 minutes
Heat-up time after full shoot	18 minutes
Working time after loss of mains power	2 hours

### FOG GENERATOR

Single shoot max time	80 seconds
Single shoot max fog output	800 m <sup>3</sup> (EN standard) - commercial 2400 m <sup>3</sup>
Programmable shooting time	Yes - Programmable in seconds
Adjustable nozzle	Yes
Total emission capacity with fluid bag charge	8000 m <sup>3</sup> - 1.5 L
Number of full fog releases on a full fluid bag	3
Low fluid alarm	Yes
No fluid alarm	Yes
Tamper switch for lid opening	Yes
Steel casing	Yes

### INPUTS / OUTPUTS

Input, galvanically isolated optocoupler	4
Seperate PIR input with 12V supply	1
Inputs selectable to be active or passive	Yes
Relay output	5
Outputs selectable to be Normal Open or Normal Closed	Yes
Status and audio indicators on PCB	Yes
Connector for external LED status indicator	Yes
Battery backup 12V 2Ah	Yes (optional)
Dipswitches for setting options	Yes
Service switch for safe technician operation	Yes

### COMMUNICATION

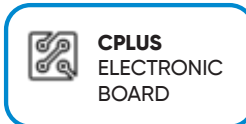
IP card ActiveCloud	Yes (optional)
ActiveCloud access	Yes (free)
API protocol option	Yes
RS232 Serial port (for dedicated devices)	Yes
WiFi	Yes (optional antenna)
USB Port for diagnostic	Yes

# Density<sup>®</sup> HP6000

The first fog generator of the range Density<sup>®</sup> HP - High - impresses with its fog production capacity and its low energy consumption. Designed for storage cells in large warehouses, factories, logistics platforms or large spaces. The Density<sup>®</sup> HP6000 is the key to secure your values and premises by instantly repelling intruders.



## VERTICAL INSTALLATION



## FEATURES



To protect premises up to 700 m<sup>2</sup>.



Fast and dense, this fog generator produce 2000 m<sup>3</sup> in 80 seconds.



Energy consumption relative to the protection.

## COMPATIBILITY



ActiveCloud board for secure connection (2x128bits encryption) wired or WiFi.



API available for software and hardware customisation.



Multidirectional nozzle.

## DENSITY<sup>®</sup> HP6000 TYPICAL APPLICATIONS



## Density HP6000 technical specifications

### GENERAL SPECIFICATIONS

Weight	50 kg
Dimensions	435 mm x 440 mm x 305mm
Color	White
Power supply	230VAC 50Hz
Power consumption at heat-up	600W
Average power consumption after heat-up	80W
Heat-up time from cold	210 minutes
Heat-up time after full shoot	110 minutes
Working time after loss of mains power	3 hours

### FOG GENERATOR

Single shoot max time	80 seconds
Single shoot max fog output	2000 m <sup>3</sup> (EN standard) - commercial 6000 m <sup>3</sup>
Programmable shooting time	Yes - Programmable in seconds
Adjustable nozzle	Yes (with anti-vandalism function of the nozzle)
Total emission capacity with fluid bag charge	20000 m <sup>3</sup> - 4 L
Number of full fog releases on a full fluid bag	3
Low fluid alarm	Yes
Tamper switch for lid opening	Yes
Steel casing	Yes

### INPUTS / OUTPUTS

Input, galvanically isolated optocoupler	4
Seperate PIR input with 12V supply	1
Inputs selectable to be active or passive	Yes
Relay output	4
Outputs selectable to be Normal Open or Normal Closed	Yes
Status and audio indicators on PCB	Yes
Connector for external LED status indicator	Yes
Battery backup 12V 7,2Ah	Yes (optional)
Dipswitches for setting options	Yes
Service switch for safe technician operation	Yes

### COMMUNICATION

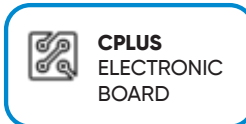
IP card ActiveCloud	Yes (optional)
ActiveCloud access	Yes (free)
API protocol option	Yes
RS232 Serial port (for dedicated devices)	Yes
WiFi	Yes (optional antenna)
USB Port for diagnostic	Yes

# Density<sup>®</sup> HP14000

With its impressive production capacity, low energy consumption and unparalleled fog density, Density<sup>®</sup> HP14000 is the most powerful fog generator in the world.

Part of the Density «High Production - HP» range, it has been developed to protect large warehouses, logistics platforms and factories. The Density<sup>®</sup> HP14000 is the key to secure your values and premises by instantly repelling intruders.

## VERTICAL INSTALLATION



## FEATURES



To protect premises up to 1500 m<sup>2</sup>.



Fast and dense, this fog generator produce 4500 m<sup>3</sup> in 200 seconds.



Energy consumption relative to the protection.

## COMPATIBILITY



ActiveCloud board for secure connection (2x128bits encryption) wired or WiFi.



API available for software and hardware customisation.



Multidirectional nozzle.

## DENSITY<sup>®</sup> HP14000 TYPICAL APPLICATIONS



## Density HP14000 technical specifications

### GENERAL SPECIFICATIONS

Weight	59 kg
Dimensions	435 mm x 440 mm x 305 mm
Color	White
Power supply	230VA 50HC z
Power consumption at heat-up	600W
Average power consumption after heat-up	110W
Heat-up time from cold	8 hours
Heat-up time after full shoot	5 hours
Working time after loss of mains power	4 hours

### FOG GENERATOR

Single shoot max time	200 seconds
Single shoot max fog output	4500 m <sup>3</sup> (EN standard) - commercial 14000 m <sup>3</sup>
Adjustable fog timer	Programmable in 10 second increments (min. 30s)
Orientable nozzle	Yes - (with anti-vandalism function of the nozzle)
Total emission capacity with fluid bag charge	26000 m <sup>3</sup> - 5 L
Number of full fog releases on a full fluid bag	2
Low fluid alarm	Yes
Tamper switch for lid opening	Yes
Steel casing	Yes

### INPUTS / OUTPUTS

Input, galvanically isolated optocoupler	4
Seperate PIR input with 12V supply	1
Inputs selectable to be active or passive	Yes
Relay output	4
Outputs selectable to be Normal Open or Normal Closed	Yes
Status and audio indicators on PCB	Yes
Connector for external LED status indicator	Yes
Battery backup 12V 7,2Ah	Yes (optional)
Dipswitches for setting options	Yes
Service switch for safe technician operation	Yes

### COMMUNICATION

IP card ActiveCloud	Yes (optional)
ActiveCloud access	Yes (free)
API protocol option	Yes
RS232 Serial port (for dedicated devices)	Yes
WiFi	Yes (optional antenna)
USB Port for diagnostic	Yes

Product code	Accessories for <b>Density</b> <sup>®</sup> <b>UNIK</b>
URCLWF	Active Cloud LAN / Wi-Fi board
URCLWFS	Active Server LAN / Wi-Fi board
FPUDWA	Wi-Fi antenna for Lan board
URCLWFT	Mounting kit Active Cloud for Unik (24V-12V adapter kit for Lan not included)
FPUWBT	Orientable wall bracket
FPUBBYK	Kit 2 Batteries 12V 9Ah
FPUBEFC	External fast charger
FPUB220PS	Internal power supply 220/110V
FPUBAC	24-12 V adapter cable for Lan

Product code	Accessories for <b>Density</b> <sup>®</sup> <b>Basic</b>
FPUWB	Orientable wall bracket
SCODSC	Desk stand
URCLWF	Active Cloud LAN / Wi-Fi board
URCLWFS	Active Server LAN / Wi-Fi board
URCLWFA	Wi-Fi antenna for Lan board
URCLWFC	Mounting kit Active Cloud
SKITHM	Kit for horizontal mounting (side extra riser + fluid bag holder)

Product code	Accessories for <b>Density</b> <sup>®</sup> <b>Air</b>
FPUWB	Orientable wall bracket
SCODSC	Desk stand
URCLWF	Active Cloud LAN / Wi-Fi board
URCLWFS	Active Server LAN / Wi-Fi board
URCLWFA	Wi-Fi antenna for Lan board
URCLWFC	Mounting kit Active Cloud
SCOFBHC	Fluid holder for horizontal mounting
	<b>Density</b> <sup>®</sup> <b>Air</b> customizations
SCOFDAW	Front panel white colour
SCOFDAB	Front panel black color
SCOFDAWD	Front panel wood effect
SCOFDAWA	Front panel Waves effect
SCOFDASM	Front panel Sea Marble effect
SCOFDABM	Front panel Black Marble effect
SCOFDAM	Front panel Marble effect
SCODAMSC	Metal side cover White
SCODAMSCB	Metal side cover Black

Product code	Accessories for <b>Density<sup>®</sup> 600 Lite - 900 Lite - 1500 Lite - 2400 Lite</b>
URCLWF	Active Cloud LAN / Wi-Fi board
URCLWFS	Active Server LAN / Wi-Fi board
URCLWFA	Wi-Fi antenna for Lan board
URCLWFM	Mounting kit Active Cloud/Active Server/ Serial relay board for Density <sup>®</sup> Lite
PNEPUG5	Nozzle extention 5 cm
PNEPUG10	Nozzle extention 10 cm
URREM	Serial 4 relay board for Density <sup>®</sup> Lite (mounting kit not included)
FPUWB	Orientable wall bracket
FPUSTD	Desk stand

Product code	Accessories for <b>Density<sup>®</sup> 390 - 900 - 1500 - 2400</b>
URCLWF	Active Cloud LAN / Wi-Fi board
URCLWFS	Active Server LAN / Wi-Fi board
URCLWFA	Wi-Fi antenna for Lan board
URCLWFD	Mounting kit ActiveCloud/Active Server
PNEVDN	V/down nozzle
PNEUGOTT3	Three holes nozzle
PNEPUG5	Nozzle extention 5 cm
PNEPUG10	Nozzle extention 10 cm
ELESDGA	Density Box Gateway
ELESDBR	Density Box Bridge

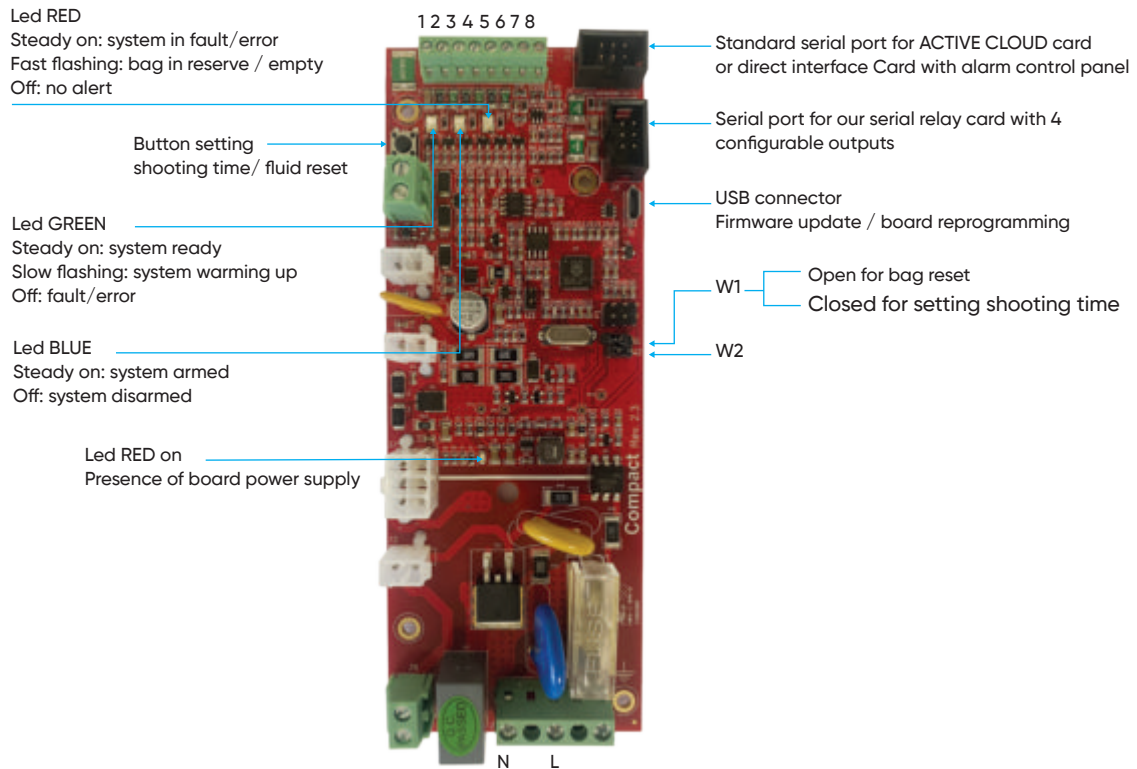
Product code	Accessories for <b>Density<sup>®</sup> HP6000 - HP14000</b>
URCLWF	Active Cloud LAN / Wi-Fi board
URCLWFS	Active Server LAN / Wi-Fi board
URCLWFA	Wi-Fi antenna for Lan board
URCLWHP14	Mounting kit Active Cloud/Active Server (external plastic box for HP line included)
F23PRUG7	Nozzle extention 7 cm
ELESDGA	Density Box Gateway
ELESDBR	Density Box Bridge

Product code	Density <sup>®</sup> refills
FFLXRD05390	Fluid bag 500 ml <b>Density<sup>®</sup> 390</b>
FFLXRD05600	Fluid bag 500 ml <b>Density<sup>®</sup> 600 Lite</b>
FFLXRD10	Fluid bag 1000 ml <b>Density<sup>®</sup> 900 Lite, Density<sup>®</sup> 1500 Lite and Density<sup>®</sup> 2400 Lite</b>
FFLXRD16	Fluid bag 1500 ml <b>Density<sup>®</sup> 900, Density<sup>®</sup> 1500 and Density<sup>®</sup> 2400</b>
FFLXRD40	Fluid bag 4000 ml <b>Density<sup>®</sup> HP6000</b>
FFLXRD50	Fluid bag 5000 ml <b>Density<sup>®</sup> HP14000</b>
FFLXRD01	Fluid bag 120 ml <b>Density<sup>®</sup> UNIK</b>
FFLXRDAIRO5	Fluid bag 500 ml <b>Density<sup>®</sup> Basic - Density<sup>®</sup> Air</b>

## Optional configurations

Black painted cabinets	<b>Density<sup>®</sup> UNIK</b>
	<b>Density<sup>®</sup> 600 Lite, Density<sup>®</sup> 900 Lite, Density<sup>®</sup> 1500 Lite and Density<sup>®</sup> 2400 Lite</b>
	<b>Density<sup>®</sup> 390 Density<sup>®</sup> 900, Density<sup>®</sup> 1500 and Density<sup>®</sup> 2400</b>
	<b>Density<sup>®</sup> HP6000 and Density<sup>®</sup> HP14000</b>
Reverse shoot machine	<b>Density<sup>®</sup> Air</b>
	<b>Density<sup>®</sup> 600 Lite, Density<sup>®</sup> 900 Lite, Density<sup>®</sup> 1500 Lite and Density<sup>®</sup> 2400 Lite</b>
	<b>Density<sup>®</sup> 390 Density<sup>®</sup> 900, Density<sup>®</sup> 1500 and Density<sup>®</sup> 2400</b>
	<b>Density<sup>®</sup> HP6000 and Density<sup>®</sup> HP14000</b>
Demo kit	<b>Density<sup>®</sup> UNIK</b>
	<b>Density<sup>®</sup> Basic</b>
	<b>Density<sup>®</sup> Air</b>
	<b>Density<sup>®</sup> 600 Lite, Density<sup>®</sup> 900 Lite, Density<sup>®</sup> 1500 Lite and Density<sup>®</sup> 2400 Lite</b>
	<b>Density<sup>®</sup> 390 Density<sup>®</sup> 900, Density<sup>®</sup> 1500 and Density<sup>®</sup> 2400</b>

**BASIC ELECTRONIC BOARD**



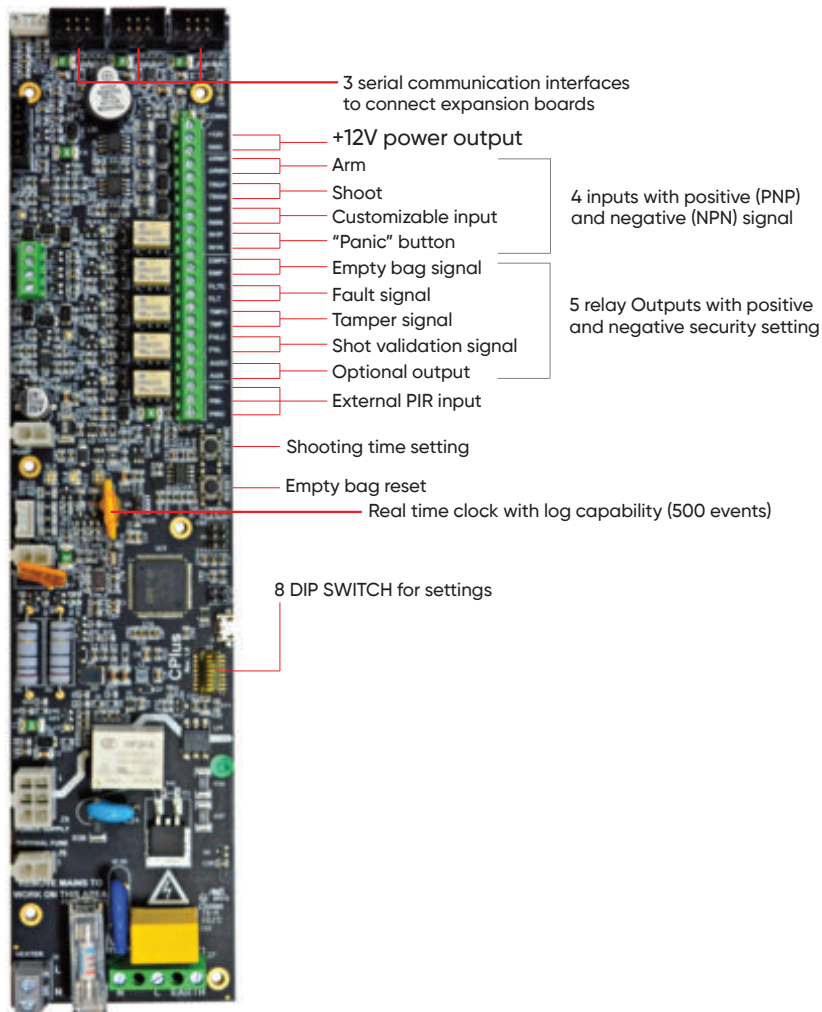
**OUTPUT**

- 1) 12V DC (max 300 mA)
- 2) 0V DC ground
- 3) If W2 is open: ARMING STATUS (active if armed)  
If W2 is closed: SHOOTING STATUS  
(active all the time of the shot)
- 4) ACTIVE if bag in reserve / empty
- 5) ACTIVE if system fault or errors present (battery flat or disconnected, power supply faulty or power failure)

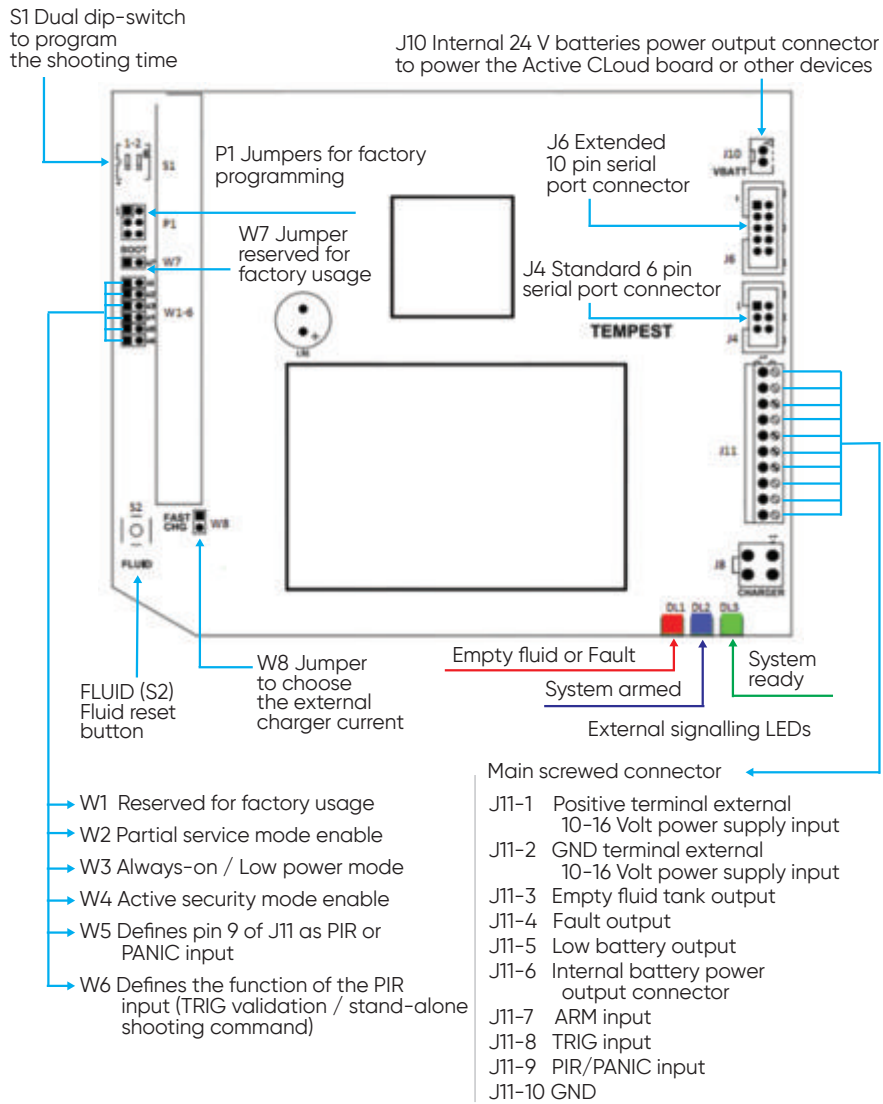
**INPUT**

- 6) GND input reference
- 7) ARMING command
- 8) SHOOT command

**CPLUS ELECTRONIC BOARD**



**— TEMPEST ELECTRONIC BOARD**





**Density**<sup>®</sup>  
INSTANT FOG PROTECTION

## **TOP PERFORMANCE FOGGING SYSTEMS**

### **Density<sup>®</sup> Global**

E-mail: [sales@densityglobal.eu](mailto:sales@densityglobal.eu)

### **NOREL SRL**

Via Toscana 44 - 10099 - San Mauro Torinese (TO) - Italy  
Phone +39 011 0133037

VAT 08967560015

[www.densityglobal.eu](http://www.densityglobal.eu)

DENSITY