



Installation and user manual

DENSITY Air

Version 1.2 - June 2024

WARNING!

All DENSITY fogging systems should only be used with DENSITY-branded fluids.
It is strictly forbidden to use any fluid not previously authorized in writing by DENSITY.

Summary

1.	Package content	page 3
2.	Conditions of use and warnings	page 3
3.	Installation tips	page 4
4.	Technical specifications	page 5
5.	Installation	page 5
6.	Electrical power supply	page 6
7.	Power supply connection	page 7
8.	Connections	page 8
9.	Examples of connections - Inputs signals	
	9.1 Arm and Trig in Active security installation	page 9
	9.2 ARM, TRIG + IN 0 Verification Input in active security installation	page 10
	9.3 ARM, TRIG, PIR verification (PIR input) in Active Security Installation	page 11
	9.4 ARM, TRIG, PIR and PANIC BUTTON in Active security installation	page 12
	9.5 Optional connection to the fire protection system	page 13
10.	Examples of connections - Outputs signals	page 14
11.	Dipswitch	page 15
12.	Recommended shooting time according to the premise volume	page 16
13.	Installation, exchange and bag reset	page 17
14.	Front LED'S	page 18
15.	Faults	page 19
16.	Maintenance possible solutions	page 20
17.	Warranty	page 21
18.	Maintenance form	page 22

1. Package content

Inside the package you will find:

1. A fogging unit model DENSITY AIR
2. A warning label to indicate the device installation
3. Installation and user manual

NOTE: Fluid bag and Backup Battery are both NOT included.



2. Conditions of use and warnings

The fog generated by DENSITY Air does not create problems or injuries to people during a short stay in a room filled with fog, if the system is used according to the manufacturer's recommendations.

The generated fog is certified as safe for people and animals from an authorized international certification company and it is proven that it does not leave any residual.

DENSITY products are certified respecting European laws and regulations.

Any certifications required in specific countries are a responsibility of the distributor of that specific country.

The documents related to certifications can be requested by mail to: support@densityglobal.eu

It is not guaranteed by the manufacturer the use of DENSITY system in the presence of objects that may be damaged in any way by the contact with substances based on glycol, water and alcohol.

Any employee or worker that may be exposed to the fog must be warned in advance and must be checked for any allergy to the substances listed on the toxicological evaluation (available on request), anyway at the date of printing of this manual it has never been pointed out any problem related to any allergy.

DENSITY is in no way responsible for any damage or condition of use that has not been required and specifically approved by any specific written request prior to the installation of its products.

For fog fluid please refer to DENSITY fluid safety data sheet published on the website and carefully read it at www.densityglobal.eu

Contact a doctor if for any reason you swallow fog fluid or if after contact with eyes or skin you have any kind of reaction, and in any case wash it immediately with water and soap.

Do never stay for a long time in a room filled with fog.

Do not use charged bags that are not the ones suggested by DENSITY and never try to recharge them, they are made for a single use.

Follow your national rules for the dispose of empty bags.

Keep DENSITY bags out of reach of babies and animals.

The nozzle may be hot and touching it may cause burns.

Do not look directly into the nozzle.

Never use DENSITY products for any purpose that is not related to protection from thief or robbery (the choice of the conditions of use in case of robbery will be suggested by your security consultant).

Never use different fog fluids or add any other substance into the bags.

Do not leave DENSITY Air unit connected to fluid bag in vehicles and do never transport DENSITY Air before 24 hours since it has been shut off.

During transport it must be not armed.

3. Installation tips

Please observe the following instructions for installing DENSITY:

1. This appliance is not intended for use by person (including children) with reduced physical, sensory or mental capabilities, or lack of experience and knowledge, unless they have been given supervision or instruction concerning use of the appliance by a person responsible for their safety.
2. Children should be supervised to ensure that they do not play with this appliance.
3. The unit must be installed without blocking escape routes.
4. Verify the fog does not limit the visibility near: stairs, moving objects that may cause falls, injuries or any damage to people.
5. When using the product in multi-storey buildings, if the escape route runs through an area which is protected by a fogging system, it is recommended to install a vocal warning that provides instructions on the behaviour to follow.
6. Do not look directly into the nozzle. Do not add any other substance into the bags.
7. The nozzle may reach high temperatures, touching it may cause burns.
8. When DENSITY produces fog avoid staying closer than 1 meter from the unit.
9. Before testing DENSITY, remember to report it in advance to the firefighters in your area to avoid false alarms.
10. Remember to put warning labels about the presence of DENSITY on the windows.
11. Report its installation to the firefighters in your area and to other institutions if needed.
12. It is necessary to add an external switch to separate the fog generator from the alarm system, it should be activated before the maintenance to avoid that input tests, for example, it can activate the fog generator.
13. Never direct the fog jet towards an object or a wall less than 2 meters away and if possible increase the suggested minimum distance. Thanks to the power of the jet, DENSITY reaches and exceeds more than 10 meters away in the first 3 seconds from the point where the unit is installed.
14. When setting the shooting time interval between the minimum and maximum shown in the shooting table, avoid "overshooting" even if the produced fog is dry and generally doesn't leave residue. A shot that goes far beyond the recommended seconds can create residue problems in the room.
15. Install it at an height of about 2,5 meters to not let it be reached, avoiding possible tampering.
16. Do not move the unit when it is still hot.
17. The main body of DENSITY, which has the heating system enclosed inside a metal frame, should not be opened unless by specific and authorized service centers. Do not open and touch for any reason the insulation before 24 hours DENSITY has been shut off. The internal part may reach really high temperature.
18. Do not activate the DENSITY unit before the installation is completed.
19. Insert the fluid bag as the last procedure and verify the anti-tampering function if present.
20. When the installation is finished, always test the system.
21. Install DENSITY avoiding any obstacles in front of it which can prevent the spreading of the fog.
22. The DENSITY unit should not be exposed to water spray or dripping.
23. Request to DENSITY or its distributors to take part in courses for installers to ensure the optimal installation of the equipment.
24. The content of the bags is mechanically predetermined and can be subject to variations +/- 10%.

4. Technical specifications

	Density® Air
Weight without bag	3,8 Kg
Max fog emission in a single shot	130 m ³ (visibility < 1 m)
*Total fog emission capacity with full bag	Around 780 m ³
Fluid bag capacity (NOT included)	1 x 500 ml
Working time without mains power	Around 1 hour
Max power on heating system	300 W
Average power consumption during heating	300 W
Heating time	Around 20 minutes
Average power consumption	32 W
Maximum current consumption at 12 V	1,2 A
Battery type (not included)	Pb 1.2 Ah 12V
Tamper lid switch	Yes
Anti-tear off and anti-shift	n/a

* Industrial standard as from other manufacturers

WARNING:

- Do not disconnect the unit immediately after the shot
- Change the battery every two years
- Change the bag as soon as the "empty" signal appears
- The generator cannot be activated on a surface that does not allow air circulation from top and bottom slots

The red led ON related with the "empty" signal shows that the unit needs to be refilled, even if fluid for a full shot is still available.

It is recommended to always have available a new refill and to proceed to replace it as soon as possible.

5. Installation

It is always recommended to secure the fog generator to a wall even when it is placed on a flat surface.

The optional mounting kit for Density® Air, mainly recommended for ceiling installation, include both battery and fluid bag holders. An optional orientable 15° (pan & tilt) VESA module is available for wall mounting, it can also simplify standard installation by allowing to use back holes for the routing of cables.

Always verify that the bracket or the support surface are suitable for the weight of the unit.

It is suggested not to install the unit behind walls in a limited closed area without a specific ventilation, in order to prevent a possible overheating. Always verify that for Density® Air ceiling/horizontal installation the temperature of the rooms doesn't exceed 40°C. To avoid injuries please securely fix the fogging unit to the wall according to the installation instructions.

After removing the unit from the package, unscrew the side four screws of the metal front lid.

Remove the lid and uncover the electrical circuit (hereinafter referred to as PCB), the DC12V power supply, the thermal unit and the fluid bag. (Fluid bag is sold separately).

6. Electrical power supply

The 230V input provides primary power to the heat exchanger and, by the use of a switching power supply, to the electronic board and the fluid pump. The heat exchanger's working time without mains power ensures proper functioning for a certain period of time, usually around one hour, even in complete absence of mains power. The functioning of the electronic board and the pneumatic system is guaranteed by the 12V 1.2A backup battery (not included). Although the heating element is of 300W, the average power consumption is between 30W and 50W on normal operation.

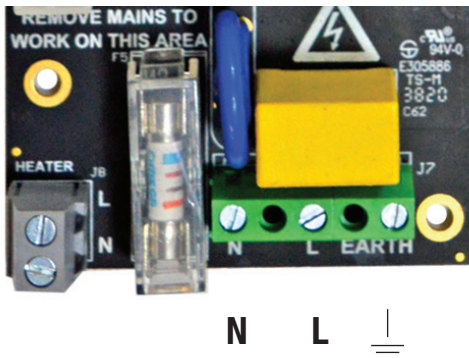
Do not use inverter or UPS if you are not sure that are designed to generate a pure sine wave. Square wave or rebuilt sine wave are not suitable for the device. Please ask to the UPS manufacturer the correspondence of such feature before proceeding with mains power connection.

- The max current to be considered for the device is 2A
- The connection to the 230V or 120V mains power must be performed by a qualified technician.
- Connect the equipment to the mains power only when installation is completed.
- It is necessary to connect the ground terminal.
- The system must be connected to the mains through an automatic switch (automatic switch, curie C, with I_h= 10 A and I_{dif}= 30 mA,...) with breaching capacity based on the assumed fault current of the fogging system in the sampling point.

PLEASE NOTE THAT, AS ALL POWERED EQUIPMENT FROM THE ELECTRICITY GRID REQUIRING INSTALLATION, IT IS SUBJECT TO COMPLIANCE WITH RULES OF THE COUNTRY IN WHICH IT IS INSTALLED

IF FOR ANY EVENIENCE IT IS NEEDED TO REPLACE THE FUSE, USE ONLY FUSE WITH THE SAME SPECIFICATIONS AS THE ONE INSTALLED.

EXAMPLE FOR 120v/230v Model: Timed Fuse 250v H Type (1500A) CERAMIC BODY FILLED WITH QUARTZ, REF. STD. EN60127-2-3/DIN41660 6,3AH (EXAMPLE OMEGA GT520263)

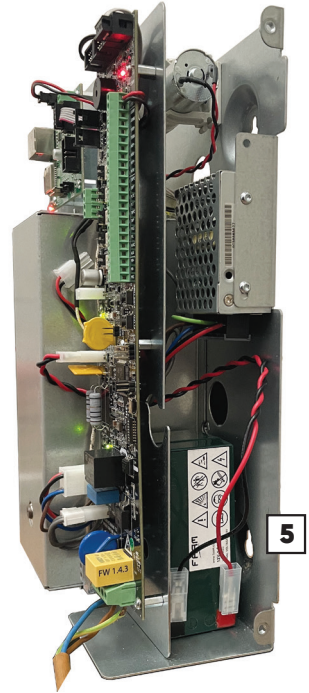
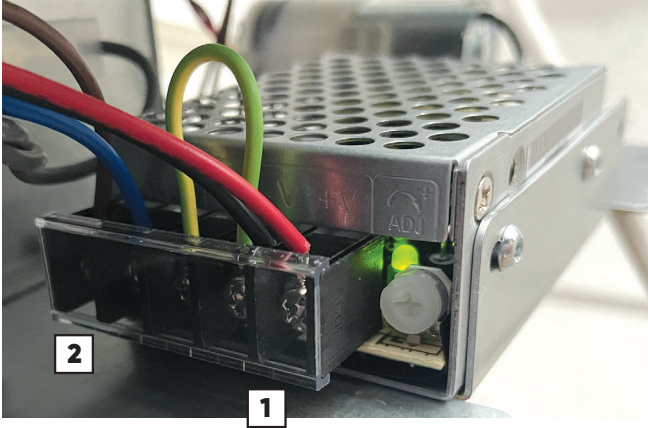


While connecting the unit to the mains power, it is recommended to carefully care the connections and the screwing of the terminal block screws. Disconnecting or modifying the ground cable voids the warranty and can generate faults related to the temperature control.

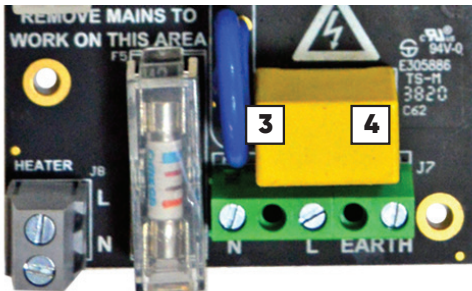
Note: always check the unit AC voltage is corresponding to the mains power available in your country. Different models are available for 120v AC and 230v AC mains power. NEVER connect the unit to mains power if voltage doesn't match.

7. Power supply connection

As for the fluid bag (500ml) in Density Air model backup battery is NOT included and should be provided by the installer.
Reference model: FIAMM FG 20121 A



- 1 12V Power supply connection
- 2 230V Power supply connection
- 3 230V Mains power
- 4 Ground connection
- 5 Battery slot (battery not included)



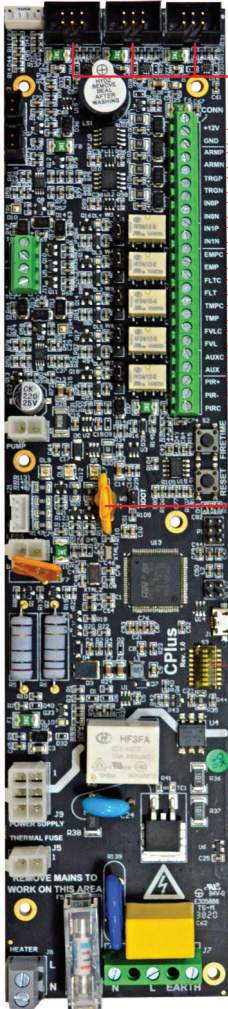
- The battery installation is essential for the safe use of the device, it is monitored and recharged by the board's circuit.

- The housing for the 1.2A 12V lead-acid battery is lodged on right side of the exchanger.

- To gain access to the battery it is necessary to remove the metal front lid and metal side battery holder screws (horizontal and ceiling installation).

8. Connections

Density® Air is equipped with CPLUS board that includes 4+1 inputs and 5 outputs.



3 serial communication interfaces to connect expansion boards

+12V power output

Arm

Shoot

Customizable input

“Panic” button

Empty bag signal

Fault signal

Tamper signal

Shot validation signal

Optional output

External PIR input

4 inputs with positive (PNP) and negative (NPN) signal

5 relay Outputs with positive and negative security setting

Shooting time setting

Empty bag reset

Real time clock with log capability (500 events)

8 DIP SWITCH for settings

INPUTS

Description of the 4 inputs:

Input 1: ARM -to arm and disarm the Density fogging system.

Input 2: TRG -to activate shooting (only if ARM input is already enabled).

Input 3: IN 0 -input confirmed works in AND withinput 2 (TRG).

Input 4: IN-1 -Panic/robbery alarm input.Activate the shooting regardless of the state of the ARM input.

The 4 input contacts are equipped with galvanically isolated opto-couplers and, by default their condition is NC (Normally Closed), so with 12V DC present (Dipswitch 6 ON).

It is possible to select if ARM, TRIG and IN 0 inputs are all three in NC or NO (Normally Closed or Normally Open).

Change activation logic (NC Normally Closed or NO Normally Open).

Moving DIPSWITCH 6 to OFF, the 3 inputs ARM, TRG and IN-0 will work in standard security, this means that the three inputs will be activated in the presence instead of the absence of the + 12V signal.

WARNING: in this condition, even if the IN 0 input is not used, it must be permanently connected to the 12V signal to authorized the activation.

PIR sensor input:

Density® Air device can prevent false activations controlling an optional local PIR positioned near the device. It means that to generate the shoot,PIR signal must be activated together with TRIG command is sent from the alarm panel.

PIR+ Power supply PIR +12V 300 mA

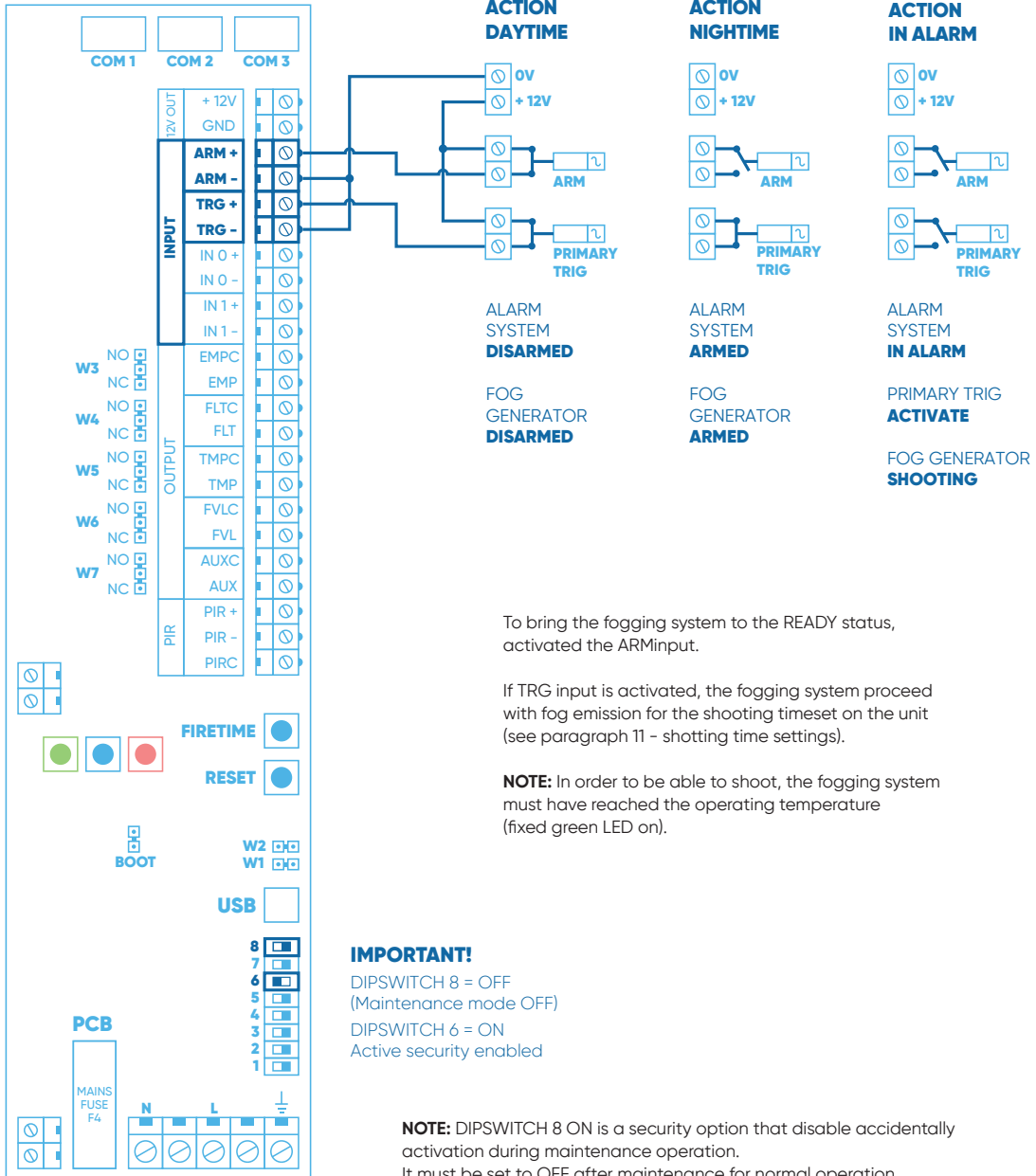
PIR- Power supply PIR -12V 300 mA

PIRC Contact signal-closed to negative (from PIR C to PIR -)

To activate this input close the W1 jumper. The closed W1 jumper activates this PIR input as AND input with the TRG input. This means that the fogging system device will shoot when both TRG and PIR inputs are active at the same time (always on active ARM input).

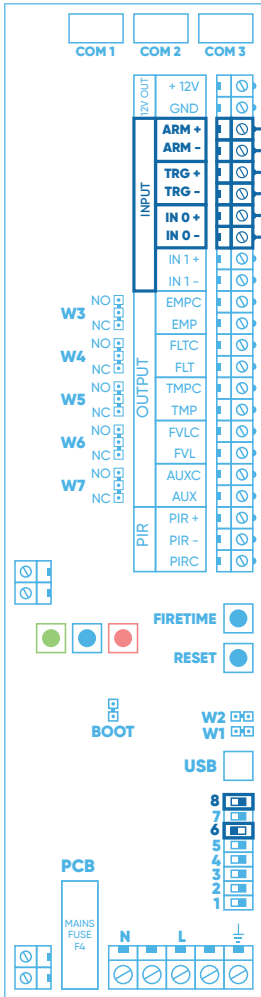
9. Examples of connections - Inputs signals

9.1 Arm and Trig in Active security installation

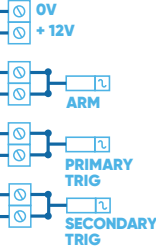


9.2 ARM, TRIG + IN 0 Verification Input in active security installation

If an additional verification input is required before fog emission it is possible to activate the IN 0 Input .



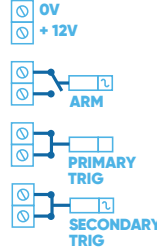
ACTION DAYTIME



ALARM SYSTEM
DISARMED

FOG GENERATOR
DISARMED

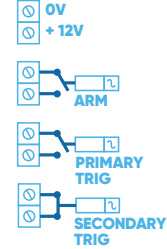
ACTION NIGHTTIME



ALARM SYSTEM
ARMED

FOG GENERATOR
ARMED

ACTION IN ALARM



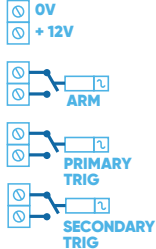
ALARM SYSTEM
IN ALARM

FOG GENERATOR
ARMED

FOG GENERATOR
READY TO SHOOT

FOG IF VERIFICATION CONFIRMED

ACTION INALARM + VERIFICATION



ALARM SYSTEM
IN ALARM

PRIMARY TRIG
ACTIVATED

SECONDARY TRIG
VERIFICATION CONFIRMED

FOG GENERATOR
SHOOTING

IMPORTANT!

DIPSWITCH 8 = OFF
(Maintenance mode OFF)

DIPSWITCH 6 = ON
Active security enabled

To bring the fogging system to the READY status, activated the ARM input.

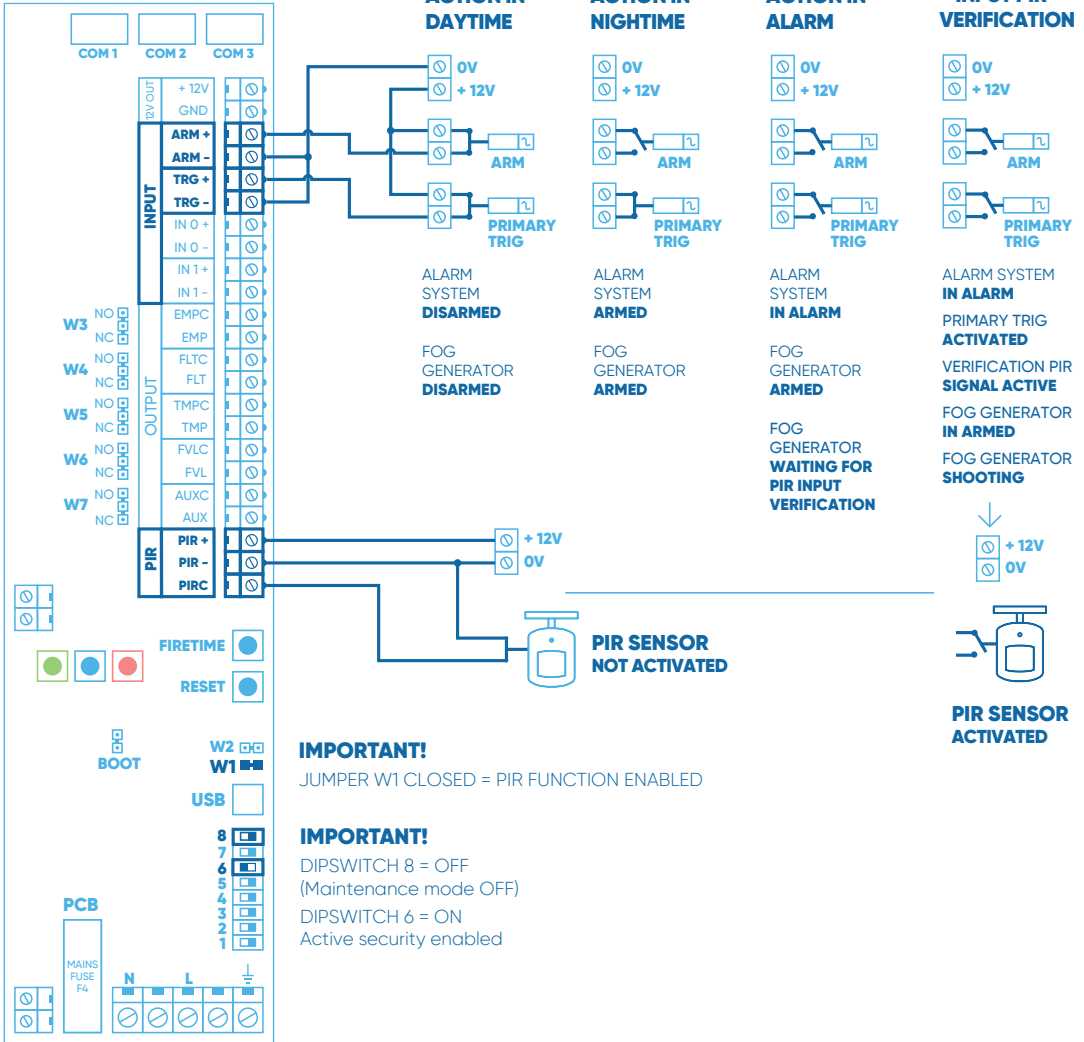
If TRG input is activated, the fogging system proceed with fog emission for the shooting timeset on the unit (see paragraph 11 - shotting time settings).

NOTE: In order to be able to shoot, the fogging system must have reached the operating temperature (fixed green LED on).

NOTE: DIPSWITCH 8 ON is a security option that disable accidentally activation during maintenance operation. It must be set to OFF after maintenance for normal operation.

9.3 ARM, TRIG, PIR verification (PIR input) in Active Security Installation

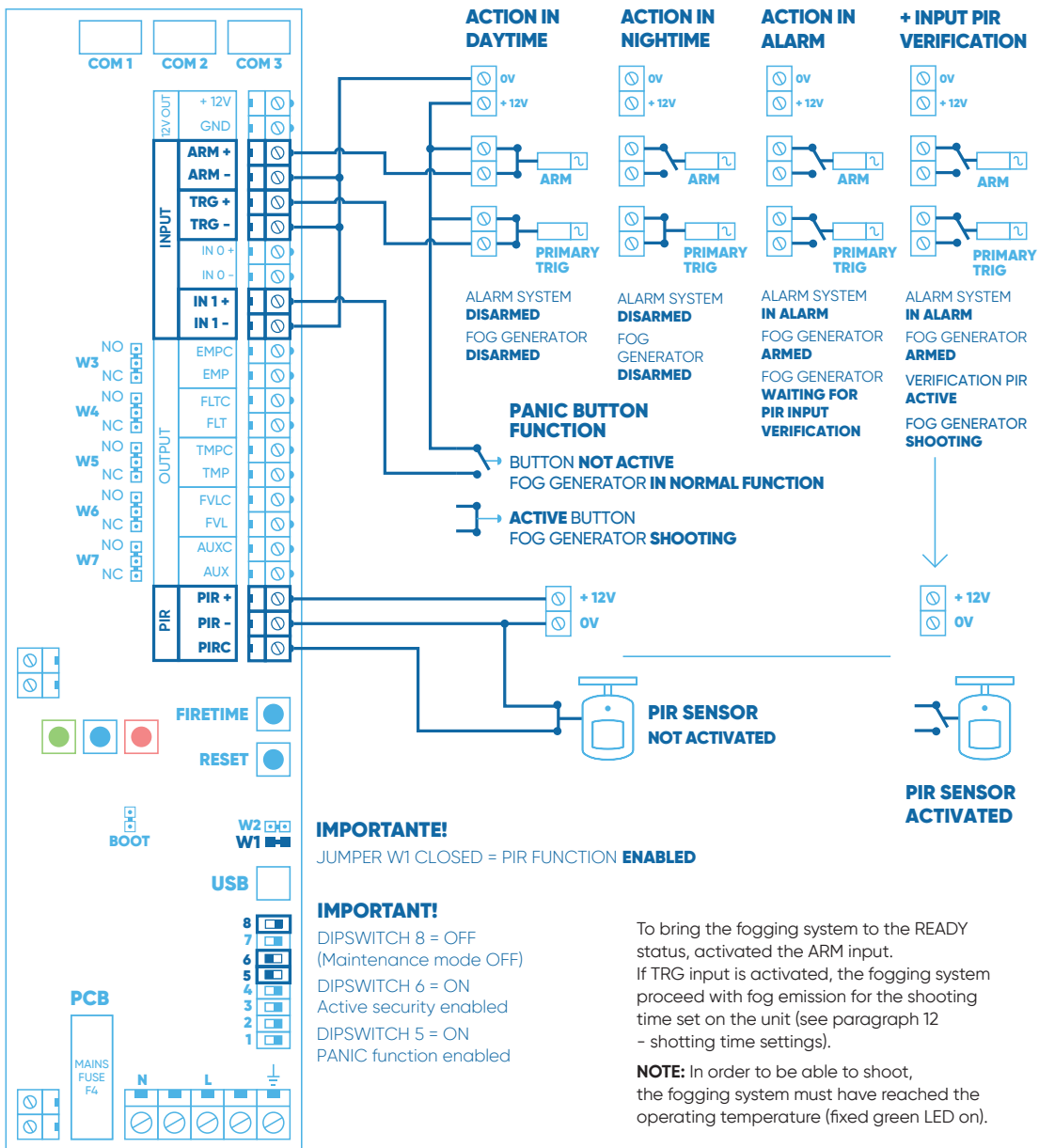
When the fogging system is armed, the TRG and PIR inputs must be active AT THE SAME TIME for the shooting to take place.



NOTE: DIPSWITCH 8 ON is a security option that disable accidentally activation during maintenance operation. It must be set to OFF after maintenance for normal operation

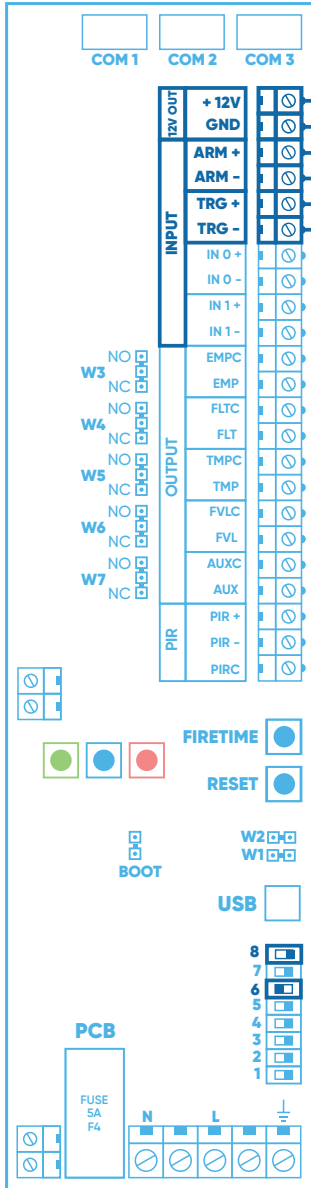
9.4 ARM, TRIG, PIR and PANIC BUTTON in Active security installation

The PANIC input is used for emergency immediate activation. The PANIC input DOES NOT take into account the status of the inputs ARM, TRG, IN 0 and PIR. The fogging system must in any case be in a HOT and READY state (fixed green LED on).



NOTE: DIPSWITCH 8 ON is a security option that disable accidentally activation during maintenance operation. It must be set to OFF after maintenance for normal operation

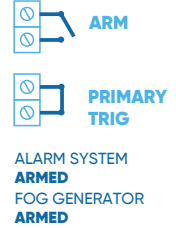
9.5 Optional connection to the fire protection system



ACTION IN DAYTIME



ACTION IN NIGHTTIME



FIRE ALARM SYSTEM

IMPORTANT!

If the fire alarm system is ACTIVATED, this signal will disarm the Density® fog generator, making it IMPOSSIBLE to shoot, until its deactivation.

IMPORTANT!

DIPSWITCH 8 = OFF
(Maintenance mode OFF)
DIPSWITCH 6 = ON
Active security enabled

To bring the fogging system to the READY status, activated the ARM input. If TRG input is activated, the fogging system proceed with fog emission for the shooting time set on the unit (see paragraph 11 – shooting time settings).

NOTE: In order to be able to shoot, the fogging system must have reached the operating temperature (fixed green LED on).

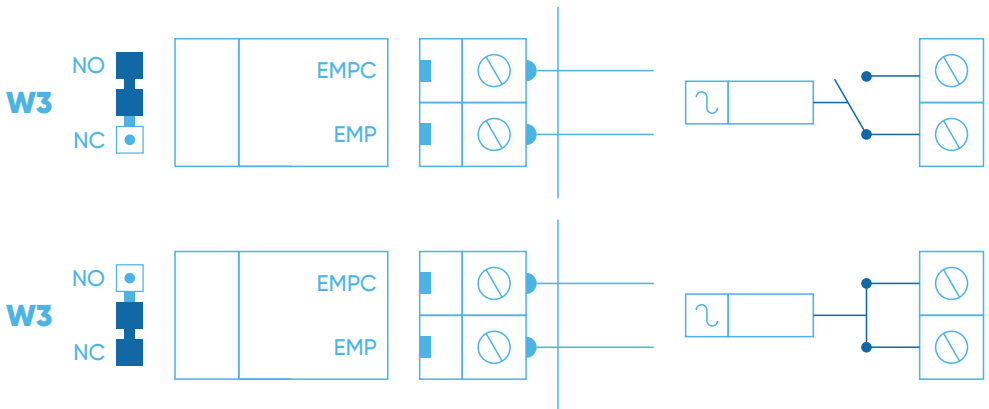
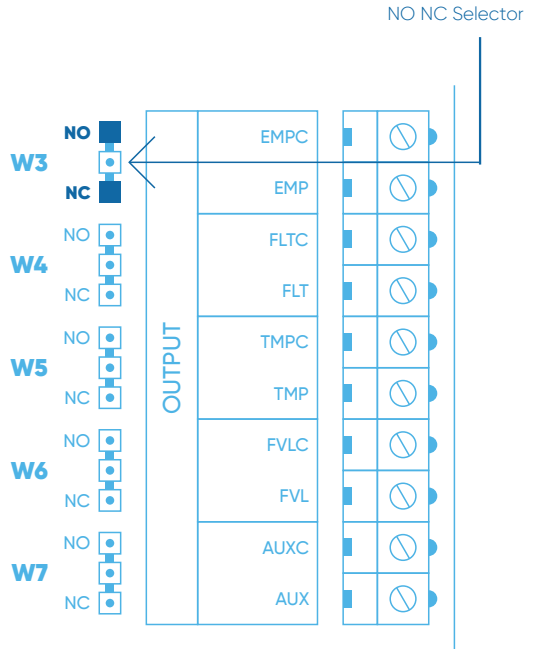
NOTE: DIPSWITCH 8 ON is a security option that disable accidentally activation during maintenance operation. It must be set to OFF after maintenance for normal operation

10. Examples of connections - Outputs signals

On CPLUS board
it is possible to connect up to
5 OUTPUTS signals:

- EMP = empty bag OR LOW FLUID RESERVE
- FLT = Fault/ Maintenance required
- TMP = unit void-Tamper switch open
- FVL = Shoot in progress
- AUX = Optional output

Each output is with Relay (CLEAN CONTACT) and
have its own jumpers W3 - W4 - W5 - W6 - W7
(Default NO) are used to choose between NO
(Normally Open) and NC (Normally Closed) for
the output.



When the output is active, the voltage is applied to the relay generating the status change. Instead, by placing Dipswitch 4 in ON, ALL relays will be programmed in NC active mode. In this condition the alarm system will receive a fault signal if the fogging system loose power completely (active security).

Placing the Dipswitch 1 in ON position will activate the FLV verification relay, which will remain active for all the shooting time.

Placing Dipswitch 1 in OFF position, a check will be performed on the actual correct execution of the shot for the set time by activating the output for 30 seconds, obviously AT THE END OF THE shot. If for any reason the shot is not completed (and of fluid, unit disarmed, etc.) no output signal will be sent at the alarm panel.

11. Dipswitch

On CPLUS electronic board there is a DIPSWITCH with 8 Options.

Default functions:

SW 1 OFF = FVL relay active for 30 seconds after the shooting
ON = Active during all fog emission

SW 2 OFF = Front LED active
ON = Front LED disable

SW 3 OFF = Buzzer Active
ON = Buzzer mute

SW 4 OFF = All relay outputs with logic in NO mode (passive security)
ON = All relay outputs with logic in NC mode (active security)

SW 5 OFF = PANIC button function disabled
ON = Panic button function enable

SW 6 ON = ARM, TRG and IN 0 inputs in NC mode (Active security)*
OFF = ARM, TRG and IN 0 inputs in NC mode (Passive security)*

SW 7 OFF = Not Used

SW 8 OFF = Fogging System in normal mode (Not in Service mode)
ON = Fogging System in service mode

* Active security means a configuration where relays are electrically activated NC at rest.

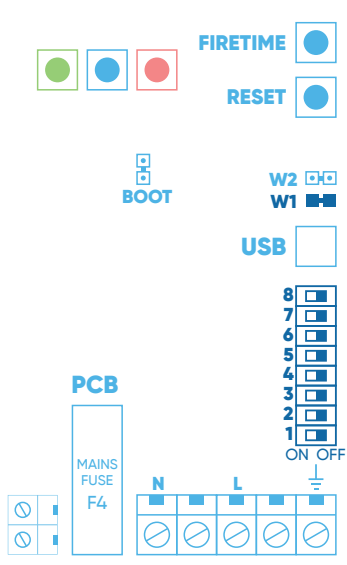
WARNING: the installer must have clear scenarios of this mode of installation because the lack or a particularly low level of power (< 9V DC) related to the alarm system would involve the activation of the fogging system (with unused PIR input or PIR powered by alarm control panel).

IMPORTANT:

To change switch position it is necessary to completely remove power to the device (both mains and backup battery) wait 20 seconds and then power it again on

EXCEPTION: To set the fogging system in SERVICE mode, after moving Dip 8 to ON it is NOT necessary to restart the system. In SERVICE mode the functions of the fogging system are disabled. Returning the Dip 8 to OFF the fogging system will return to normal operation.

During SERVICE mode the three front LEDs Green/Blue/Red will flash sequentially.



On the Density® Air mainboard there are three serial ports connectors (J2, J3 and J4) that are reserved for expansion modules and communication devices specially designed by the manufacturer.

To allow advanced diagnostics, it is possible to connect a personal computer with Microsoft Windows or Linux operating system using a micro USB cable to the J1 port. Using a generic terminal emulator it will be possible to receive the operating parameters of the device in real time. The same port can also be used for any firmware updates. We recommend that you refer to your product distributor for more information about advanced diagnostic.

12. Recommended shooting time according to the premise volume

Fogging systems Density® Air is able to produce fog based on second by second setting.

The maximum quantity of 1,5 ml/s allows to fill an area of around 135 cubic meters in less than 1 minute.

There might be cases in which, due to specific characteristic of the location, nozzle type, levels of temperature and air pressure, degree of the fog density and light in the target area, the shooting time can be increased or decreased.

For example, above 3 mt of height the shooting time must be integrated and above 5 mt, every additional meter should be considered as double.

$$(H \times L \times P) \times D \times V \times R \times I$$

HxLxP----- Height x Width x Depth of the area to protect

D----- Density of the produced fog

V----- Temperature and air pressure

R----- Acceptable residue in case of saturation of V parameter

I----- Intensity of the surface light

The following tables indicate the suggested fog emission in relation to the number of seconds of shooting set in average condition of temperature, air pressure and humidity.

To correctly dimension the units it is needed to verify that the saturation of the area occurs in faster time than the one supposed for the theft.

SHOOTING TABLE Density® Air (max 50 sec.)

m³ to protect	Seconds of emission	m³ to protect	Seconds of emission	m³ to protect	Seconds of emission
13 (39*)	5	65 (195*)	25	117 (351*)	45
26 (78*)	10	78 (234*)	30	130 (390*)	50
39 (117*)	15	91 (273*)	35		
52 (156*)	20	104 (312*)	40		

* Industrial standard as from other manufacturers

The value in the first column indicates the volume of the room to be protected, with respective seconds of emission reported in the second column. The value in m³ varies depending on the density to be obtained. With the suggested value it is possible to get the maximum density recommended to ensure the absence of any residual. In places where a little residual causes no problems, it is possible to increase the shooting time. Please note that the more fog released, the more the time required to recover visibility. High levels of fog, over recommended limits, can leave residual. Any residue usually goes away by itself within 24/48 hours, otherwise, being soluble in water, it is enough to use a wet cloth for cleaning. If you desire to obtain an average of 1 meter visibility after 60 seconds from shooting, as specified by the standard EN 50131-8:2019, used as reference by all manufacturers of fog generators, the number of shooting seconds it is to be reduced in half.

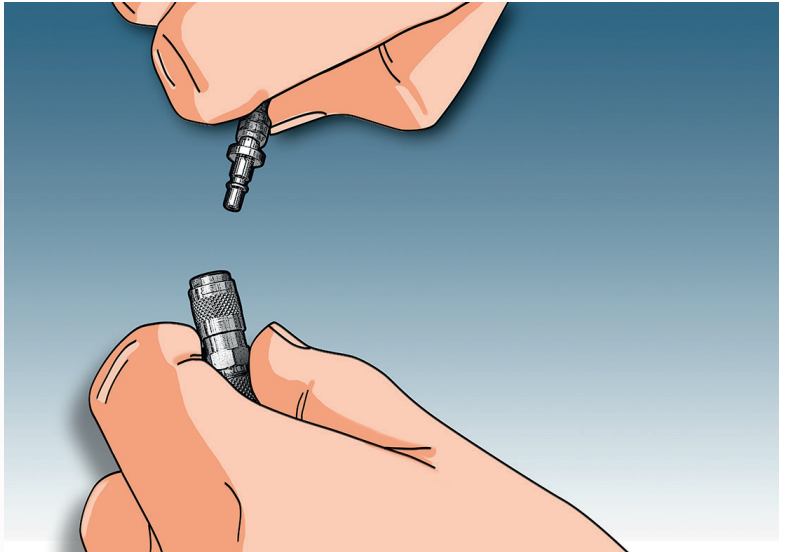
13. Installation, exchange and bag reset

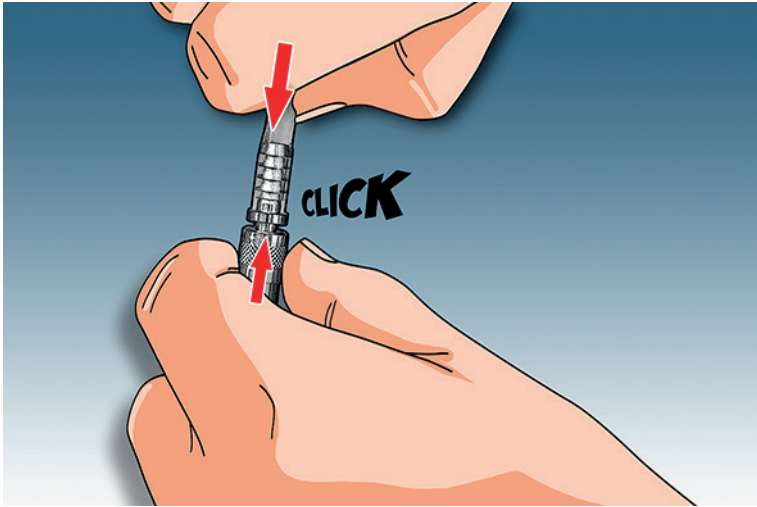


Insert the bag in place as show in picture.

Fluid bag holder (optional mounting kit for ceiling intallation)

Insert a new bag and push metal connector till a "click" is heard.





Press S1 button after bag replacement - bag reset

IMPORTANT!

When inserting a new refill or replacing an empty one, you must RESET the fluid measurement system. To do this simply hold the RESET button (S1 Button) for 3-4 seconds until the confirmation green led blinks.

14. Front LED'S

HEATING



GreenLED

Slow flashing: the heating process is on going. At this stage, the Density® but it is still not ready for shooting.

Fast flashing: the heating process has exceeded the minimum level for which the Density® fogging system is able to shoot, but is not able to make the maximum shooting time.

Fixed light ON: The device is warm and ready for maximum fog shooting.

ARM



Blue LED

Fixed light ON: The fog device is armed and, if it's warm, it's ready to shoot.

FAULT



Red LED

Fixed light ON: presence of errors (including E13 fluid in reserve). See paragraph 15. Faults

Fast flashing: Empty or not connected fluid tank (Fault 15)

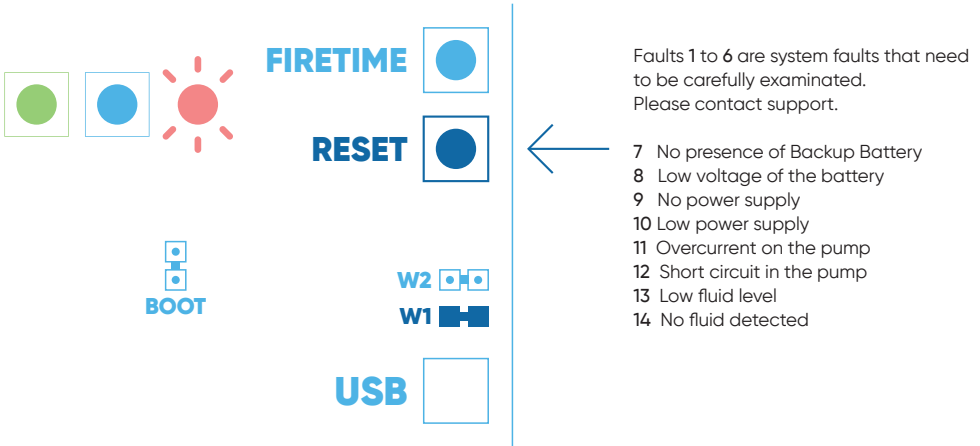
15. Faults

To READ the faults:

PRESS and RELEASE the RESET button.

Count the number of the red LED flashes. The buzzer will emit an acoustic signal synchronous with the LED.

The number counted is the ERROR present in the device.



NOTICE:

Fixed red light = the refill is EMPTY or in reserve (see list above).

Fast flashing light = Density device did not detect any fluid (empty refill or incorrect connection).

BUZZER: The internal buzzer will sound permanently for 5 minutes when it detects an error.

After 5 minutes, it will emit 1 single «BEEP» per minute.

16. Maintenance possible solutions

Density® fogging systems don't need specific maintenance, nevertheless is suggested a periodical check on yearly base:

1. Verify battery and power supply status.
2. Verify screws are firmly tight.
3. Verify the output nozzle is not damaged and without anything inside.
4. Verify pneumatic circuit and fluid pump functionality performing a test shot.

BATTERY AND POWER SUPPLY CHECK

Verify that the output of the power supply without any load (battery unplugged) is 14,1V on the PSU.

If a different value is noticed, set the trimmer on power supply.

Verify battery status (integrity check, no overheating); is suggested to replace the battery on 2 years base due to the heavy load during shots without mains power.

SCREWS

Verify that all fixing screws are correctly setted and eventually rescrew them.

OUTPUT NOZZLE

Verify that ouput nozzle is not damaged and that there is nothing inside blocking the fog ejection flow.

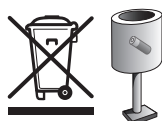
YEARLY PUMP FUNCTIONALITY TEST

The test is done executing a trial shot on the unit. To avoid creating too much fog during the test is suggested to stop the flow after a few seconds dearming the unit under test.The fog flow will immediatly stop.

17. Warranty

The warranty of DENSITY is two years and is handled directly from the dealer or authorized installer, so please contact your supplier to take advantage of warranty with the copy of the purchase document that contains the serial number of the unit. Not included in the warranty: moving parts and/or damages depending on the incorrect use unless it is found a manufacturing defect in origin.
Fluid and bags are not covered by warranty.

BY BREAKING THE SECURITY LABELS AND THE OPENING OF THE UNIT
YOU WILL ACCEPT WHAT IS WRITTEN ON THIS MANUAL AND
ON THE WEB SITE: www.densityglobal.eu



We recommend to throw away the batteries in the appropriate waste containers for recycling. Heavy metals contained in them are recyclable.

RESELLER/INSTALLER STAMP
(company to contact for the warranty)

Serial number _____

Date of installation _____

Signature of installer _____

At the end of the installation, write down the identification number of the units, the date of the installation and sign in the dedicated spaces.



Version 1.2 - June 2024